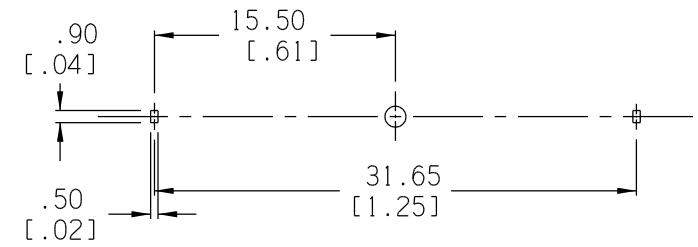
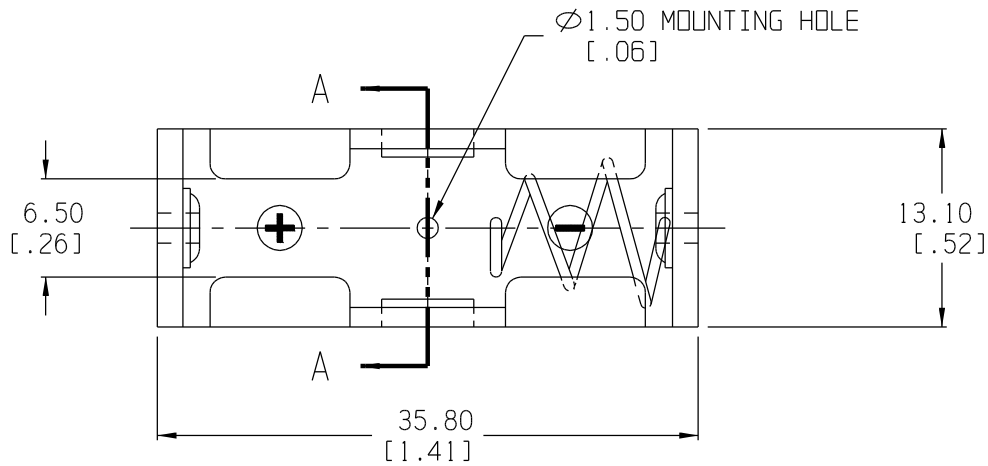
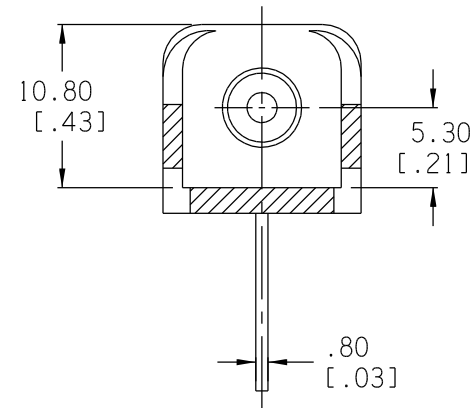
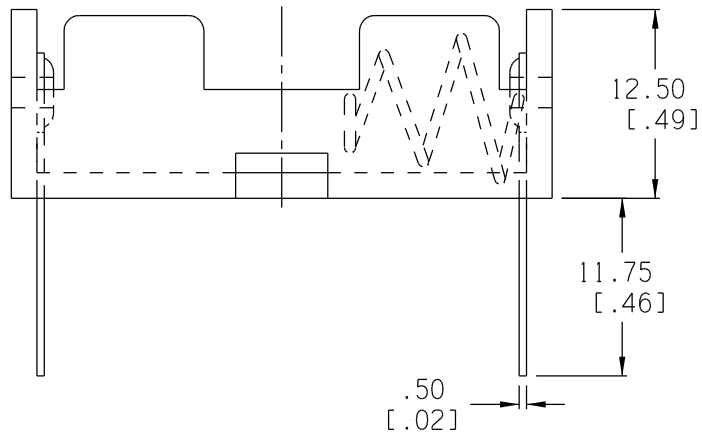


Date	SYM	REVISION RECORD	AUTH	DR.	CK.
10/22/05	A	ADDED "ROHS COMPLIANT"	T.B.	B.S.	
3/11/06	B	UPDATED MATERIAL SPEC.	T.B.	B.S.	
5/06/06	C	ADDED CONTACT RESI. INFO.	T.B.	B.S.	



PCB LAYOUT




NOTES:

MATERIAL:

HOUSING: POLYPROPYLENE
 FLAMMABILITY RATING -UL94 HB, UL FILE NO. E216959
 TEMPERATURE RANGE: -10°C to +100°C
 SPRING: STEEL, ELASTIC, NICKLE PLATED
 EYELETS: BRASS, NICKLE PLATED
 POWER CONTACTS: STEEL, NICKLE PLATED
 CONTACT RESISTANCE: UNDER 50m ohms FOR +/- CONTACTS
 PER EIA-540J000

ROHS COMPLIANT

Tolerance (Inches)	 Memory Protection Devices, Inc. 200 Broad Hollow Road, Farmingdale, New York 11735		
Decimal ±.5 (.020)	Scale	Drawn By B.S.	
Fractional ± .8 (.030)	Title 23A BATTERY HOLDER WITH PC PINS		
Angular ± 3°	Date 5/06/06	Drawing Number BH23APC	
		Approved By T.B.	