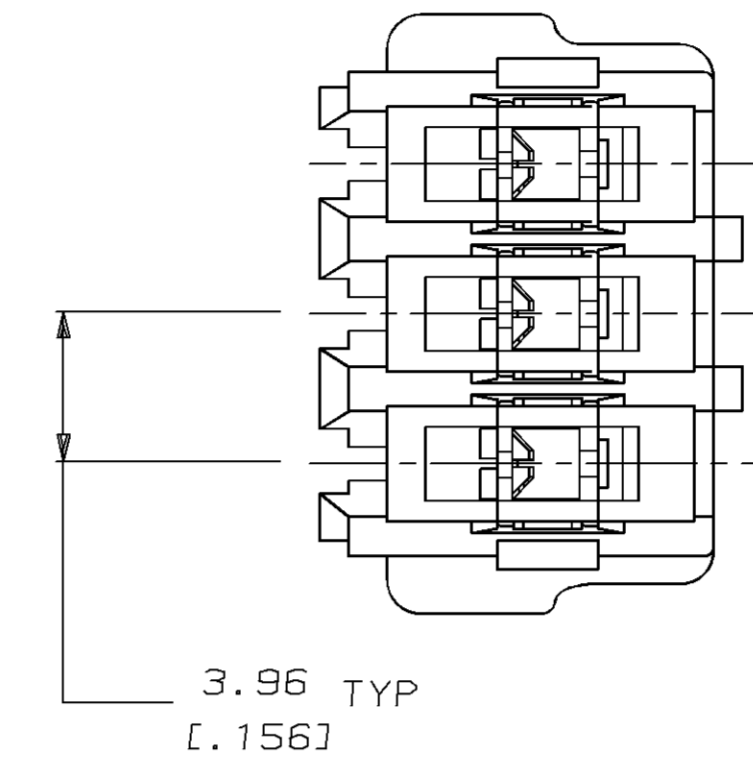
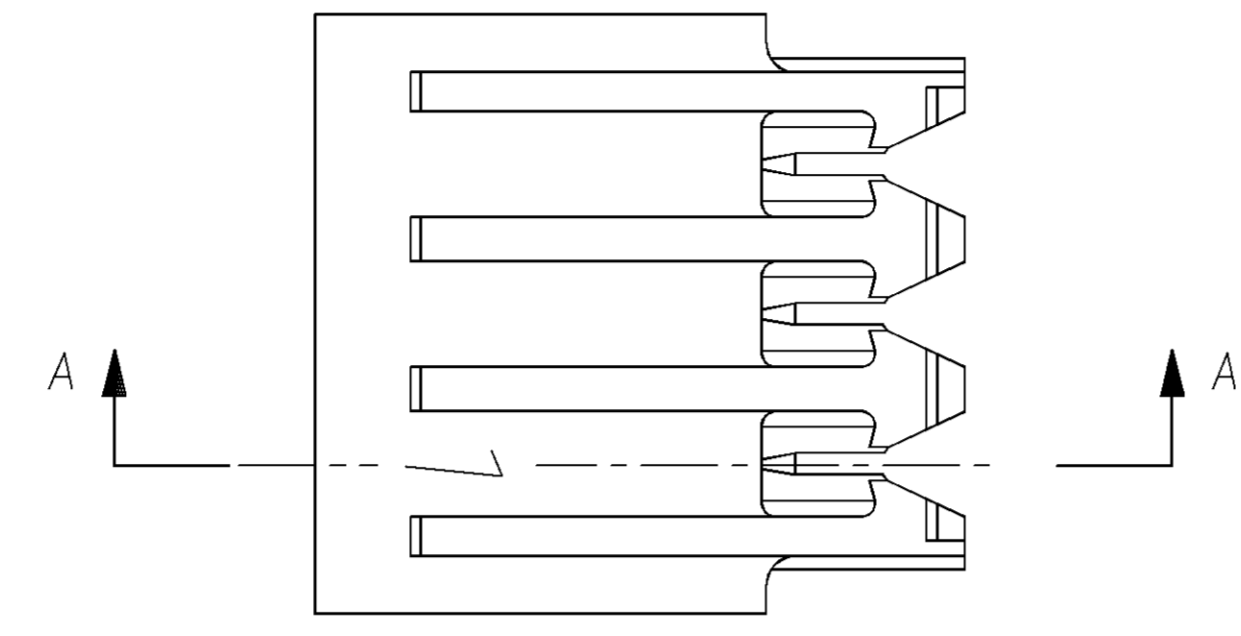
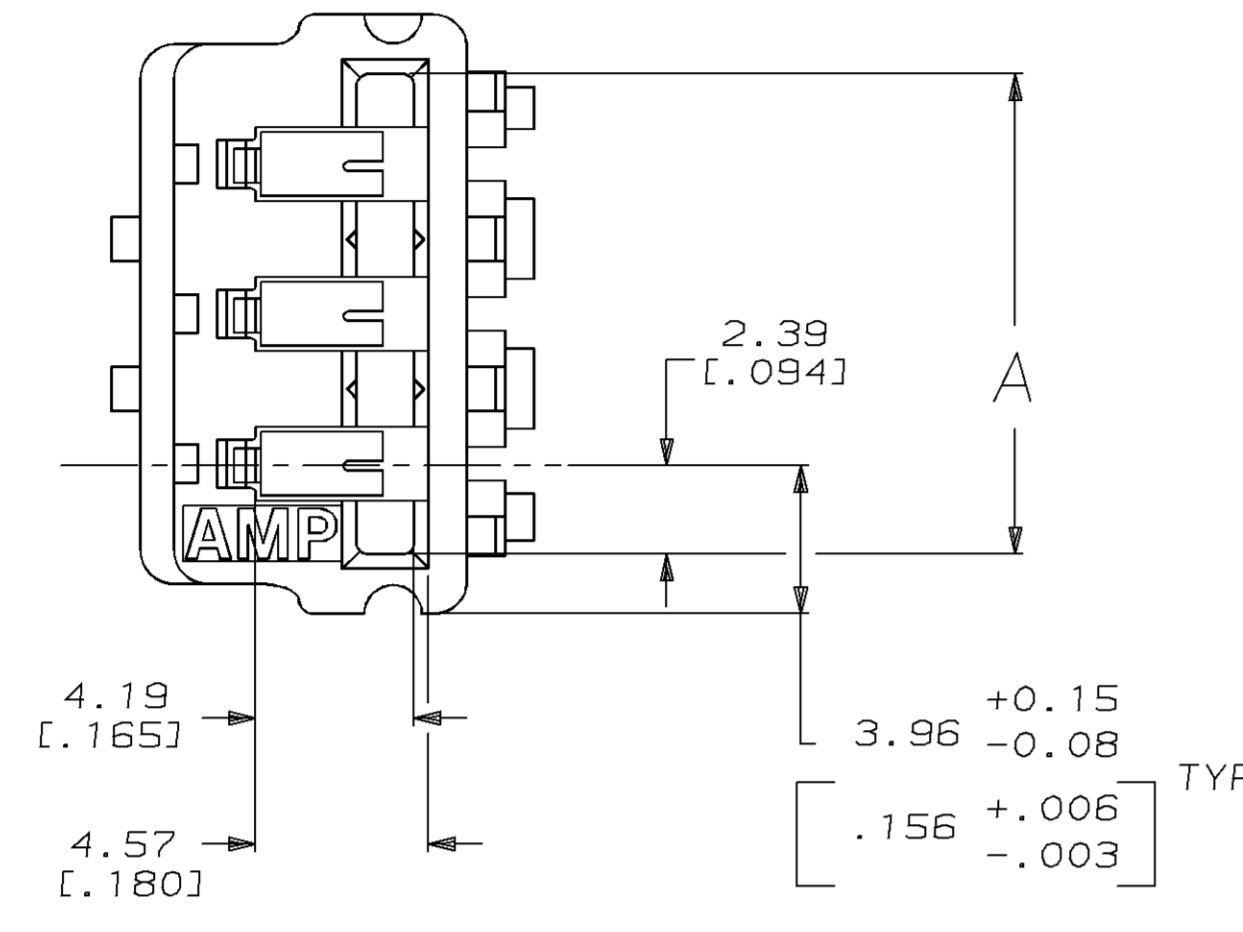
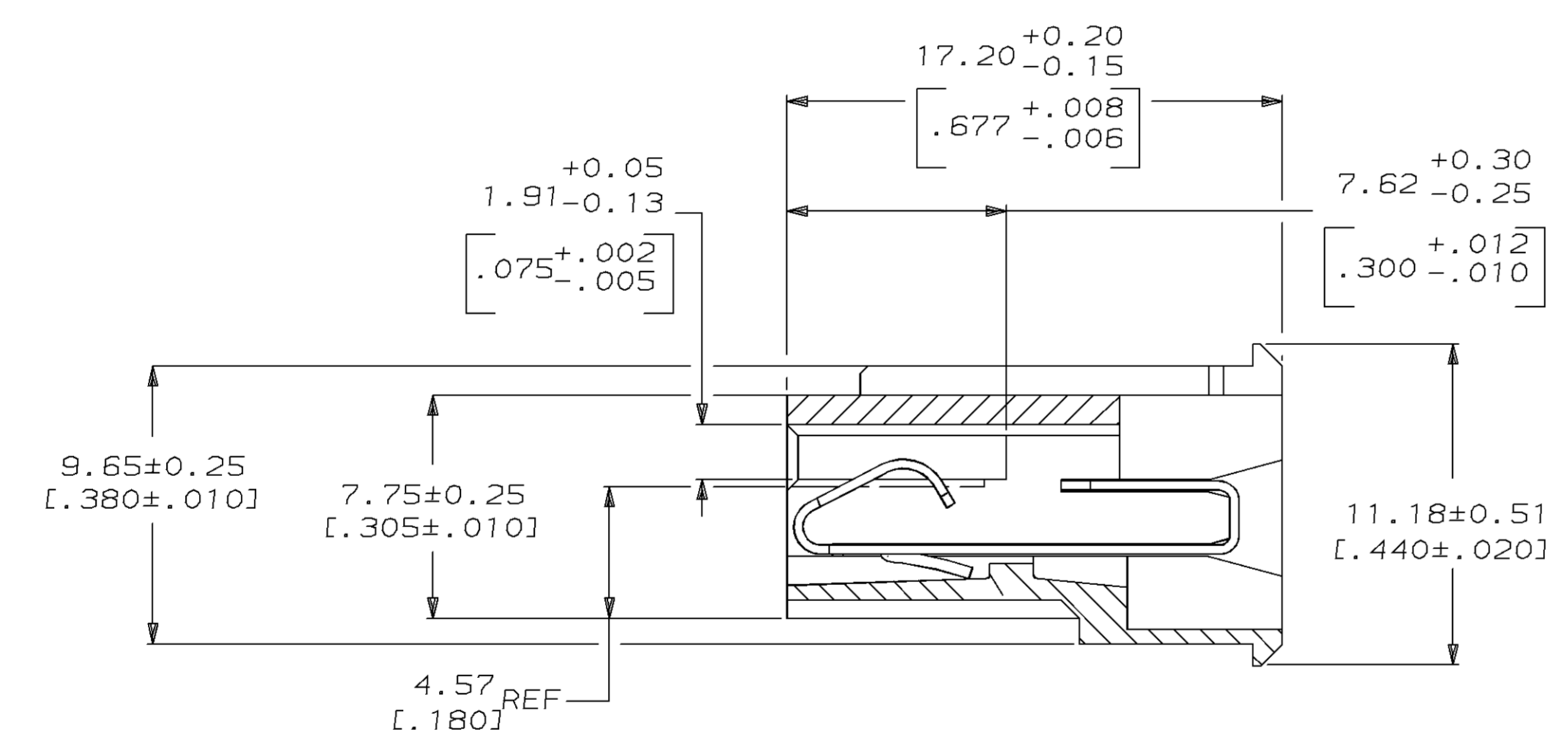


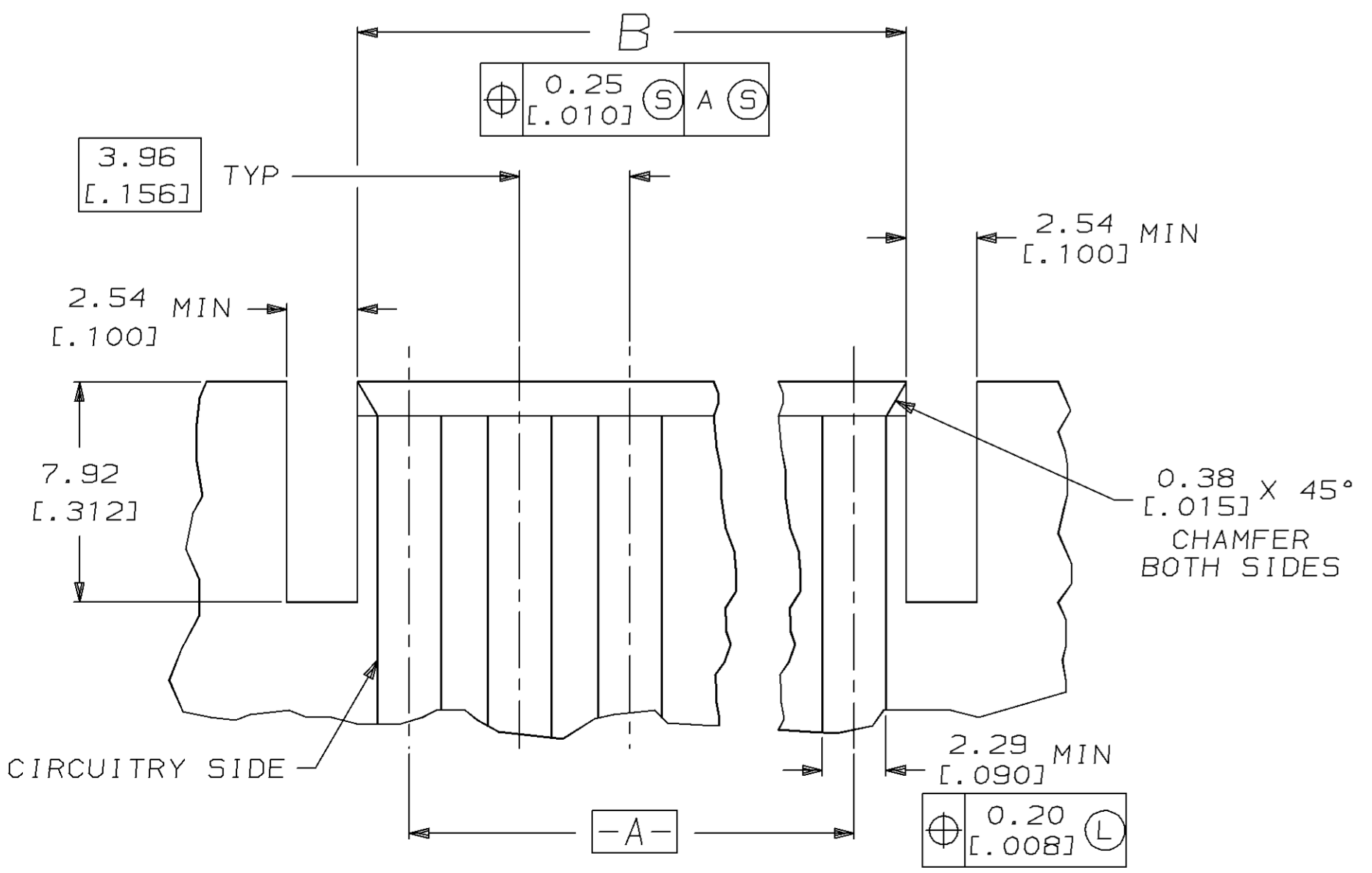
REVISIONS				DATE	APPD
LOC	DIST	P	ZONE	LTR	DESCRIPTION
CM	54	P			0BS 1-6 PER EC 0730-0141-96
					6-27-96
					BL
					RS



- MATERIAL: CONNECTOR- POLYESTER UL94V-0 (ORANGE). CONTACTS- 0.30 [.012] THK COPPER ALLOY (BRIGHT TIN 0.00203 [.000080] MIN THK).
- CONTACT ACCEPT #18 AWG WIRE WITH 2.41 [.095] MAXIMUM INSULATION DIAMETER.
- CONNECTOR MATES WITH 1.57±0.20 [.062±.008] THICK P.C. BOARD.
- HOUSING FEATURES: FEED-THRU, STANDARD MOUTH WITHOUT MOUNTING EARS.
- DIMENSIONS IN BRACKETS ARE IN INCHES.



SECTION A-A



RECOMMENDED P.C. BOARD LAYOUT

95.50 [3.760]	95.91 [3.776]	24	2-641283-4
91.54 [3.604]	91.95 [3.620]	23	2-641283-3
87.58 [3.448]	87.99 [3.464]	22	2-641283-2
83.62 [3.292]	84.02 [3.308]	21	2-641283-1
79.65 [3.136]	80.06 [3.152]	20	2-641283-0
71.73 [2.824]	72.14 [2.840]	18	1-641283-8
59.84 [2.356]	60.25 [2.372]	15	1-641283-5
47.96 [1.888]	48.36 [1.904]	12	1-641283-2
36.07 [1.420]	36.47 [1.436]	9	641283-9
24.18 [.952]	24.59 [.968]	6	641283-6
12.29 [.484]	12.70 [.500]	3	641283-3

DO NOT SCALE PRINT. UNLESS SPECIFIED DIMENSIONS IN mm [INCHES] TOLERANCES ON:		DR 10-29-91 K. SALMON		AMP AMP Incorporated Harrisburg, PA 17105-3608	
1 DIMENSIONS IN mm [INCHES]		CHK 10-29-91 R. SWING		NAME	
2 TOLERANCES ON:		APPD 10-29-91 G. MILLER		MTA-156	
3 1.57 ± 0.20 [.062 ± .008]		APPD 10-29-91 G. MILLER		CARD EDGE CONNECTOR ASSEMBLY, 18 AWG	
4 ANGLES ±		PRODUCT SPEC		SIZE	
5 FINISH		APPLICATION SPEC		CAGE CODE	
SEE NOTE 1		-		D 00779	
SEE NOTE 1		WEIGHT		DRAWING NO	
-		-		641283	
-		-		SCALE	
-		-		5:1	
-		-		SHEET	
-		-		1 OF 1	

