

RAA23021x

R18DS0013EJ0102

Rev.1.02

Jul 23, 2014

5.5V Input, 3A, Step-Down DC/DC Converter + LDO

Description

The RAA23021x is a high efficiency monolithic step-down DC/DC synchronous converter plus a LDO (low dropout) regulator which has an ultra-low power mode.

Features

- DC/DC converter (ch1)
 - Synchronous rectification type step-down circuit
 - Integrated power MOSFETs
 - Preset output voltage (There are also products that have adjustable output voltage using external resistors.)
 - Internal phase compensator
 - Switching frequency: 1 MHz (fixed)
 - Internal timer-latch-type short-circuit protector (fixed delay time)
 - 100% duty cycle operation
- LDO (ch2)
 - 500mA
 - Internal over current protector (foldback-current limiting)
 - Ultra low-power save mode (25uA typical)
- Common Features
 - Internal rise up sequencer
 - Internal digital soft-start function (2 ms fixed soft-start time)
 - Internal discharge circuit
 - Power good function
 - Internal timer-latch-type thermal shutdown circuit (shutdown temperature: 150°C or higher)
 - Internal recovery-type under voltage lockout circuit

Application

- Communication
 - Industrial
 - Building
 - Smart meter
- And, usable around MCU, ASIC, FPGA, etc.

Ordering Information

Ordering Part No.	Package	Tape and Reel
RAA230214GSB#HA0	20-pin HTSSOP	Embossed taping. 2,500pcs/reel
RAA230215GSB#HA0		

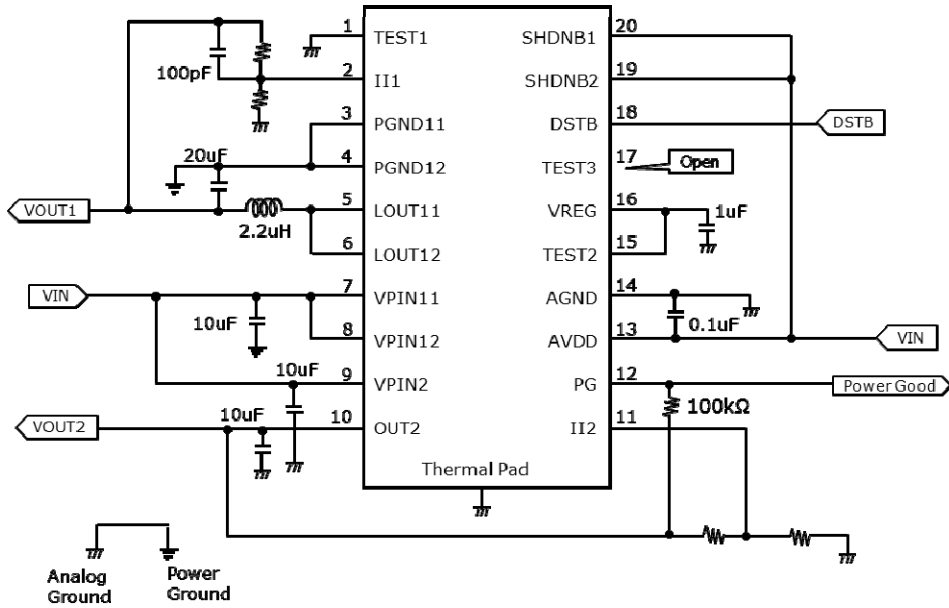
Note: A quality grade of these ICs is "Standard". Recommended applications are indicated below.

Computers, office equipment, communications equipment, test and measurement equipment, audio and visual equipment, home electronic appliances, machine tools, personal electronic equipment, and industrial robots, etc.

Part No Summary

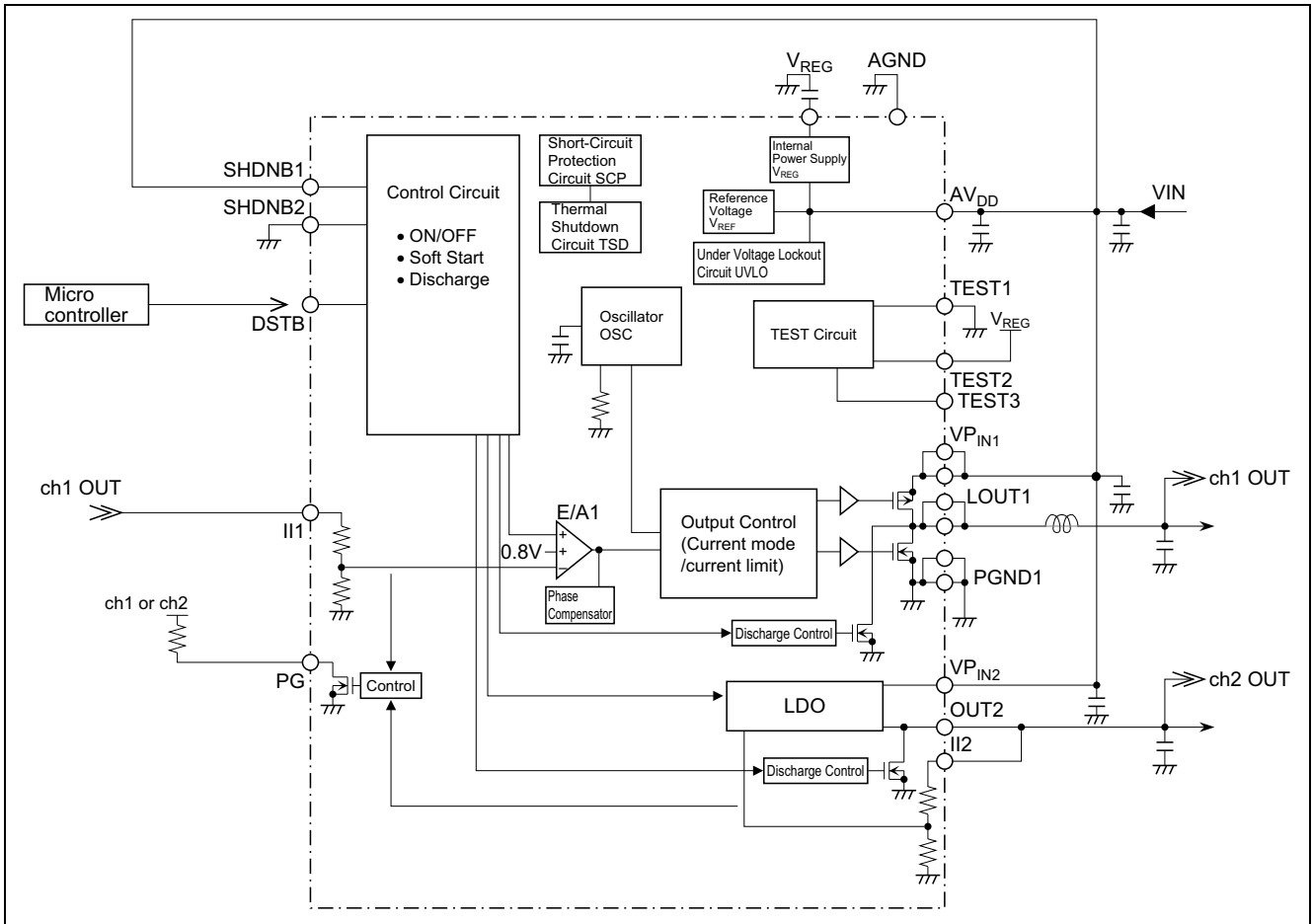
Part No.	Output	Input Voltage	Output Voltage		Maximum Output Current	Switching Frequency	Package
			ch1	ch2			
RAA230214GSB	ch1:DC/DC (step-down, current mode) ch2:LDO	3.0 V to 5.5 V	3.3	3.3	ch1:3 A ch2:0.5 A	1 MHz (fixed)	20-pin HTSSOP
RAA230215GSB			0.9 V to VIN×0.8 (Adjustable each output individually by external resistor)				

Circuit example (RAA230215GSB)

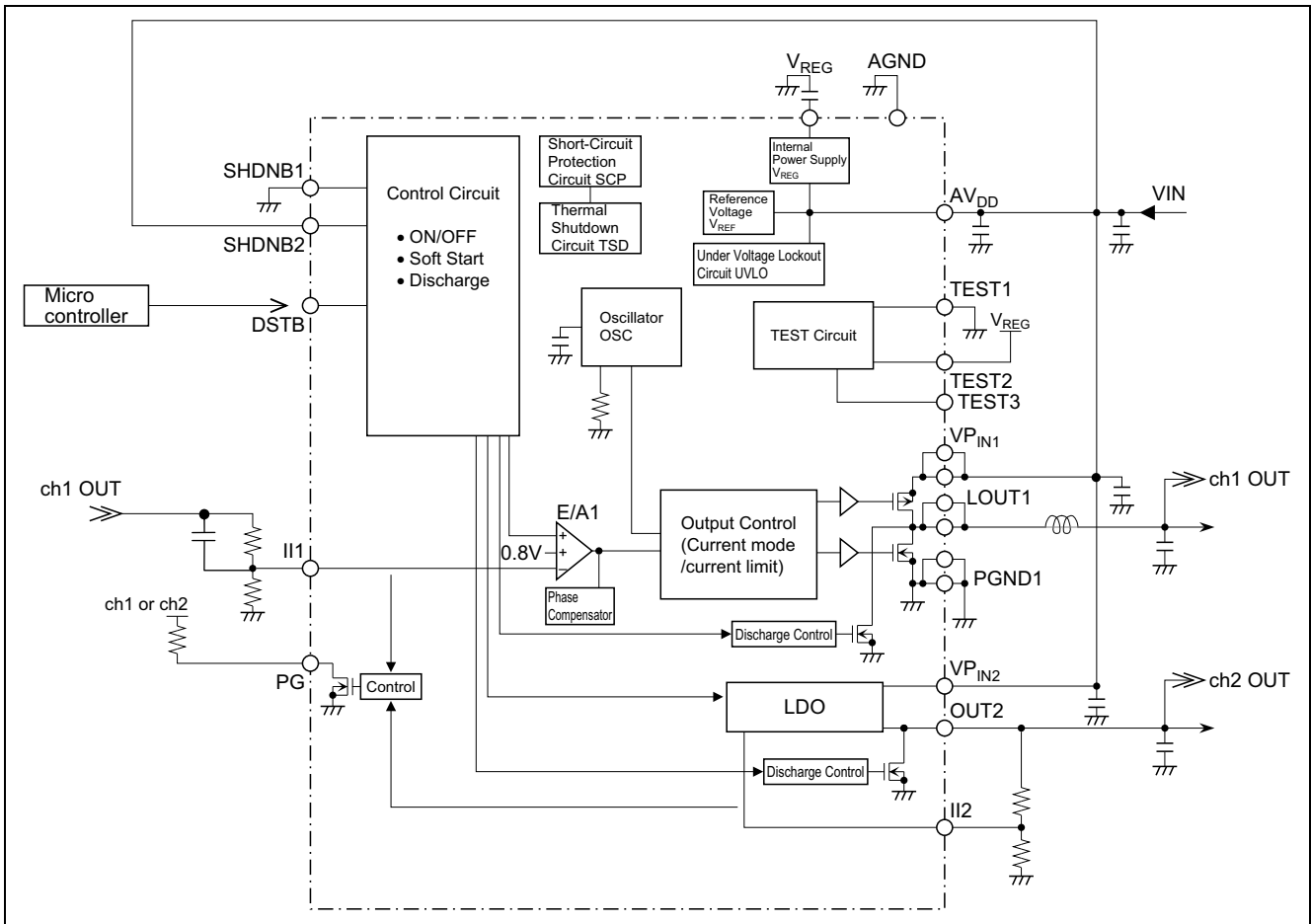


Block Diagram

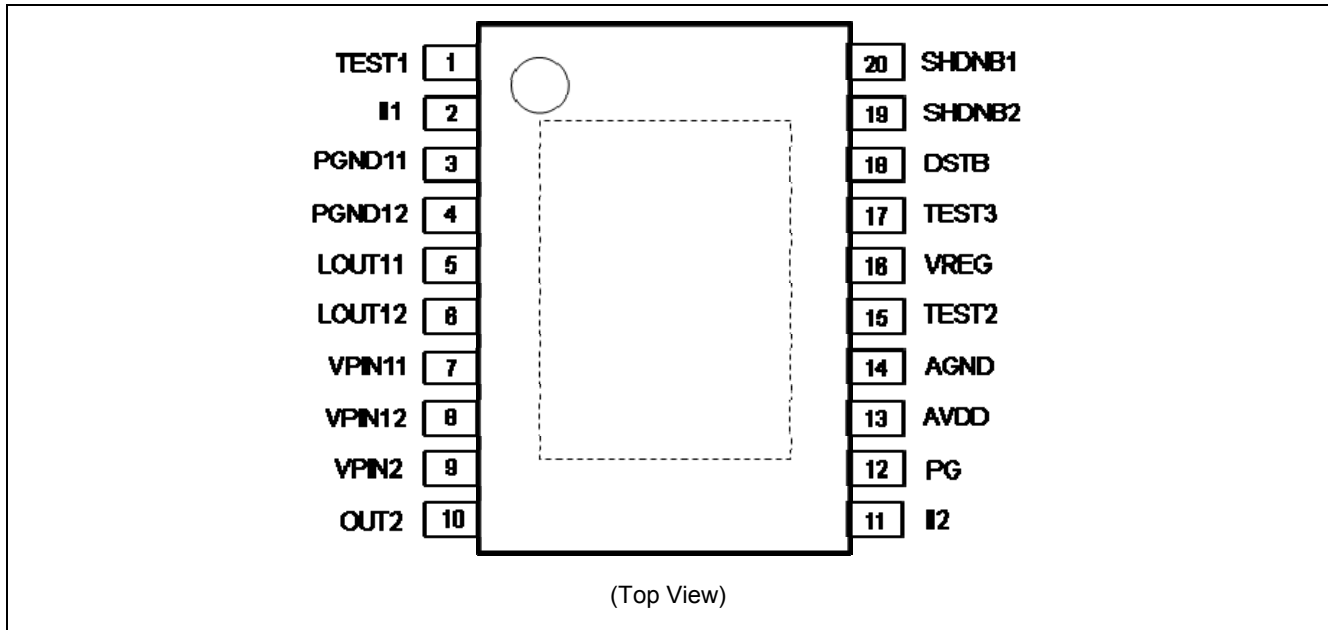
ch1/ch2: Preset output voltage by internal resistor.
 Sequence pattern 1 (ch1 followed by ch2)



**ch1/ch2: Adjustable output voltage by external resistor.
Sequence pattern 2 (ch2 followed by ch1)**



Pin Configuration



Pin Function

Pin No.	Symbol	I/O	Function
1	TEST1	—	Test pin 1 (connect to AGND)
2	II1	Input	Inverted input for error amplifier of ch1
3	PGND11	Ground	Power ground
4	PGND12	Ground	Power ground
5	LOUT11	Output	Inductor connection 1 for ch1
6	LOUT12	Output	Inductor connection 2 for ch1
7	VP _{IN1}	Power supply	Output stage power input 1 of ch1
8	VP _{IN2}	Power supply	Output stage power input 2 of ch1
9	VP _{IN2}	Power supply	Output stage power input of ch2
10	OUT2	Output	Output of ch2
11	II2	Input	Inverted input for error amplifier of ch2
12	PG	Output	Power-good output (open-drain)
13	AV _{DD}	Power supply	Analog block power supply
14	AGND	Ground	Analog ground
15	TEST2	—	Test pin 2 (connect to V _{REG})
16	V _{REG}	Output	Internal power supply output (connect 1uF)
17	TEST3	—	Test pin 3 (open)
18	DSTB	Input	Light-load operation mode setting pin
19	SHDNB2	Input	Output ON/OFF of ch2
20	SHDNB1	Input	Output ON/OFF of ch1

Absolute Maximum Ratings

(Unless otherwise specified, $T_A = 25^\circ\text{C}$)

Parameter	Symbol	Ratings	Unit	Condition
Analog power supply (AV _{DD} pin)	AV _{DD}	-0.5 to +6.5	V	AV _{DD}
VP _{IN} pin applied voltage	VP _{IN}	-0.5 to +6.5	V	VP _{IN11} , VP _{IN12} , VP _{IN2}
SHDNB pin applied voltage	V _{SHDNB}	-0.5 to +6.5	V	SHDNB1, SHDNB2
DSTB pin applied voltage	V _{DSTB}	-0.5 to +6.5	V	DSTB
PG pin applied voltage	V _{PG}	-0.5 to +6.5	V	PG
II pin applied voltage	V _{II}	-0.5 to +6.5	V	II1, II2
VP _{IN11} +VP _{IN12} pin sink current (peak)	IP _{IN1(peak)-}	3500	mA	VP _{IN11} +VP _{IN12}
LOUT11+LOUT12 pin output source current (peak)	I _{LO1(peak)+}	3500	mA	LOUT11, LOUT12
VP _{IN2} pin sink current (DC)	IP _{IN2(DC)-}	500	mA	VP _{IN2}
OUT2 pin output source current (DC)	I _{O2(DC)+}	500	mA	OUT2
LOUT11+LOUT12, OUT2 pin output source current (DC)	I _{LO1,O2(DC)-}	100	mA	when discharge circuit is operation.
Total power dissipation	P _T	3400 ^{*1}	mW	T _A ≤ +25°C
Operating ambient temperature	T _A	-40 to +85	°C	
Junction temperature	T _J	-40 to +150	°C	
Storage temperature	T _{stg}	-55 to +150	°C	

Note:

*1 This is the value at T_A ≤ +25°C. At T_A > +25°C, the total power dissipation is derated by 34mW/°C.

Board specification : 4-layers glass epoxy board, 76.2mm x 114.3mm x 1.664mm.

Copper coverage area: 50%, 0.070mm thickness (top and bottom layers)

95%, 0.035mm thickness (layers 2 and 3).

Connecting exposed pad

Caution: Product quality may suffer if the absolute maximum rating is exceeded even momentarily for any parameter. That is, the absolute maximum ratings are rated values at which the product is on the verge of suffering physical damage, and therefore the product must be used under conditions that ensure that the absolute maximum ratings are not exceeded.

Recommended Operating Condition

(Unless otherwise specified, $T_A = 25^\circ\text{C}$)

Parameter	Symbol	Min	Typ	Max	Unit	Condition
Analog power supply voltage (AV _{DD} pin)	AV _{DD}	3.0	5.0	5.5	V	AV _{DD}
VP _{IN} pin applied voltage	VP _{IN}	—	AV _{DD}	—	V	VP _{IN11} , VP _{IN12} , VP _{IN2}
SHDNB pin applied voltage	V _{SHDNB}	0	—	AV _{DD}	V	SHDNB1, SHDNB2
DSTB pin applied voltage	V _{DSTB}	0	—	AV _{DD}	V	DSTB
PG pin applied voltage	V _{PG}	0	—	AV _{DD}	V	PG
II pin applied voltage	V _{II}	0	—	AV _{DD}	V	II1, II2
V _{REG} pin capacitance	C _{REG}	—	1.0	—	μF	V _{REG}
Operating junction temperature	T _{JO}	-40	—	+125	°C	

Electrical Characteristics

(Unless otherwise specified, $T_A = 25^\circ\text{C}$, $AV_{DD} = VP_{IN1} = VP_{IN2} = 5.0\text{ V}$, $V_{OUT2} = 3.3\text{ V}$, $f_{OSC} = 1\text{ MHz}$, $DSTB = L$)

Parameter	Symbol	Min	Typ	Max	Unit	Condition	
Total	Standby current	$I_{DD(STNBY)}$	—	1	2	μA	$AI_{DD} + IP_{IN1} + IP_{IN2}$ SHDNB1 = SHDNB2 = AGND
	Circuit operation current 1	I_{DD1}	—	1.2	2	mA	AI_{DD} , SHDNB1 = SHDNB2 = AV_{DD} DSTB = GND (normal mode)
	Circuit operation current 2	I_{DD2}	—	25	45	μA	AI_{DD} , SHDNB1 = SHDNB2 = AV_{DD} DSTB = AV_{DD} (ultra low-power mode)
Internal power supply block (V_{REG})	Internal power supply voltage	V_{REG}	2.25	2.4	2.55	V	$I_{REG} = 0\text{ mA}$
Under voltage lock out circuit (UVLO)	Operation start voltage during rise time	$AV_{DD(L-H)}$	2.7	2.9	3.0	V	AV_{DD} pin voltage is detected
	Operation stop voltage	$AV_{DD(H-L)}$	2.6	2.8	3.0	V	AV_{DD} pin voltage is detected
Short-circuit protection circuit (SCP)	II1 input detection voltage (ch1)	$V_{TH(II)1}$	65	75	85	%	II1 pin, Ratio to the output voltage or E/A1 threshold voltage
	Delay time	t_{DLY}	—	10	20	ms	
Oscillation block	Oscillation frequency	f_{OSC}	—	1000	—	kHz	
Soft start block	Soft start time	t_{SS}	0.9	2.0	4.0	ms	ch1, ch2
PWM block	Maximum duty	$D_{MAX(PWM)}$	—	100	—	%	ch1
Output voltage accuracy (with resistor inside)	ch1 output voltage accuracy	V_{OUT1}	-2.5	—	+2.5	%	$I_{O1} = 200\text{ mA}$, (with internal resistor)
	ch2 output voltage accuracy	V_{OUT2}	-1	—	+1	%	$I_{O2} = 10\text{ mA}$, (with internal resistor)
E/A block (with resistor outside)	E/A 1 input threshold voltage	V_{ITH1}	0.780	0.800	0.820	V	Including input offset, (with external resistor)
	E/A 2 input threshold voltage	V_{ITH2}	0.792	0.800	0.808	V	Including input offset, (with external resistor)
Output block	P-ch ON resistance	R_{ON-P1}	—	0.15	0.3	Ω	$I_O = 100\text{ mA}$
	N-ch ON resistance	R_{ON-N1}	—	0.15	0.3	Ω	$I_O = -100\text{ mA}$
Discharging circuit block	ch1 ON resistance	R_{ONDC1}	—	100	200	Ω	ch1, $I_{DC} = 20\text{ mA}$
	ch2 ON resistance	R_{ONDC2}	—	200	400	Ω	ch2, $I_{DC} = 20\text{ mA}$
Series regulator block (ch2, DSTB = AGND: normal mode)	The voltage between the input and output	V_{DIF2}	0.5	—	—	V	$I_{O2} = 20\text{ mA}$
	Input regulation	REG_{IN2}	—	—	50	mV	$I_{O2} = 20\text{ mA}$, $VP_{IN} = 3.0\text{ V to } 5.5\text{ V}$
	Load regulation	REG_{L2}	—	—	50	mV	$I_{O2} = 1\text{ mA to } 500\text{ mA}$
	Output short-circuit current	$I_{O2SHORT}$	—	100	—	mA	OUT2=AGND
	Peak output current	I_{O2PEAK}	550	—	—	mA	
Series regulator block (ch2, DSTB = AV_{DD} : ultra low-power mode)	The voltage between the input and output	V_{DIF2}	0.5	—	—	V	$I_{O2} = 10\mu\text{ A}$
	Input regulation	REG_{IN2}	—	—	100	mV	$I_{O2} = 10\mu\text{ A}$, $VP_{IN} = 3.0\text{ V to } 5.5\text{ V}$
	Load regulation	REG_{L2}	—	—	100	mV	$I_{O2} = 10\mu\text{ A to } 50\text{ mA}$

Electrical Characteristics (cont.)

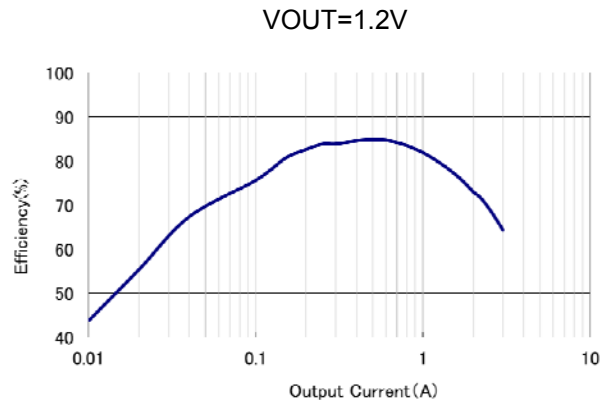
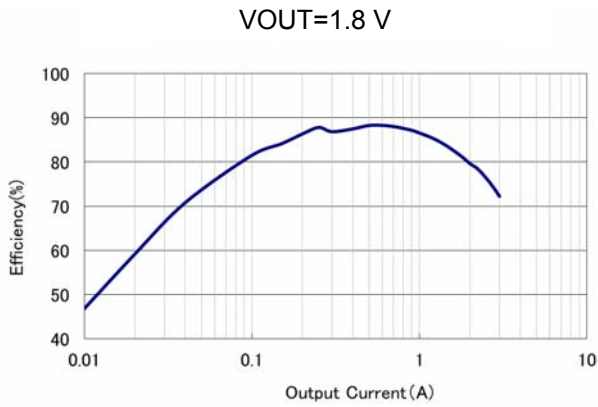
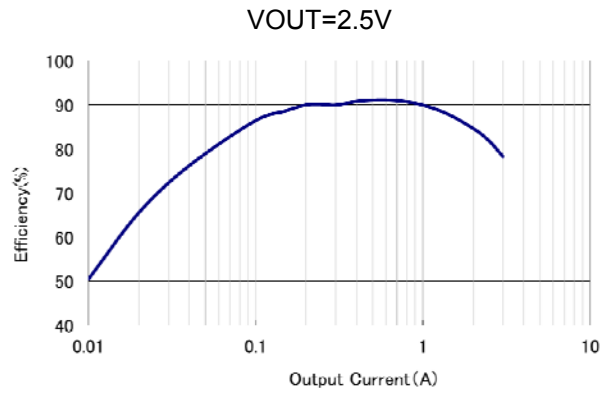
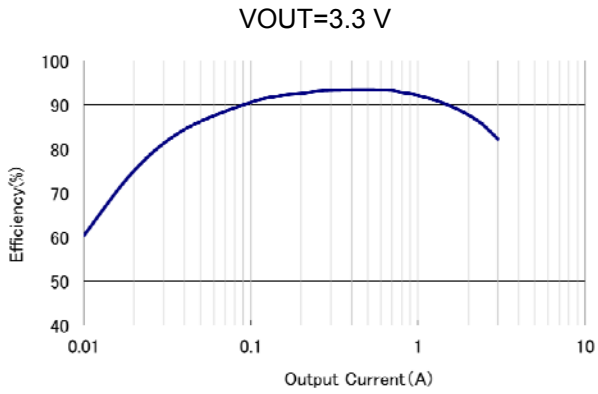
(Unless otherwise specified, $T_A = 25^\circ\text{C}$, $A V_{DD} = V_{P_{IN1}} = V_{P_{IN2}} = 5.0\text{ V}$, $V_{OUT2} = 3.3\text{ V}$, $f_{OSC} = 1\text{ MHz}$, $DSTB = L$)

	Parameter	Symbol	Min	Typ	Max	Unit	Condition
Power-good circuit block	Threshold voltage	$V_{TH(PG)}$	86	90	94	%	PG = "HiZ"→"L", "L"→"HiZ" Ratio to the output voltage
	PG pin output voltage	V_{PG}	—	—	0.1	V	$I_{PG-} = 0.1\text{mA}$
	PG pin leakage current	$I_{LEAK-PG}$	—	—	1	μA	SHDNB1, SHDNB2 = AGND
	Delay time	t_{DLY-PG}	—	—	2	ms	Time from detecting of output startup until change form L to HiZ on PG pin
ON/OFF controller block	Threshold voltage	V_{TH}	0.6	—	1.4	V	SHDNB1, SHDNB2, DSTB

Typical Performance Characteristics

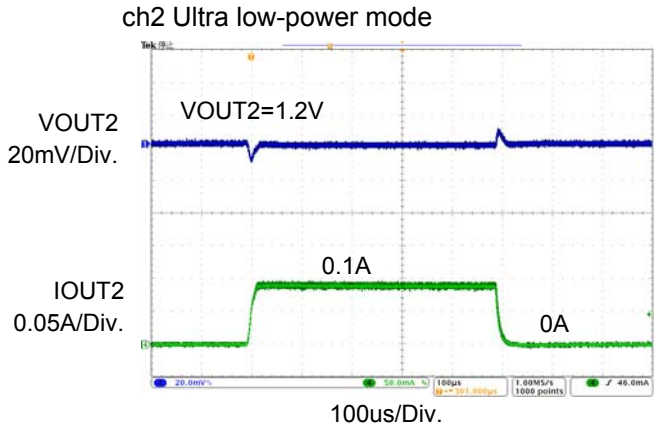
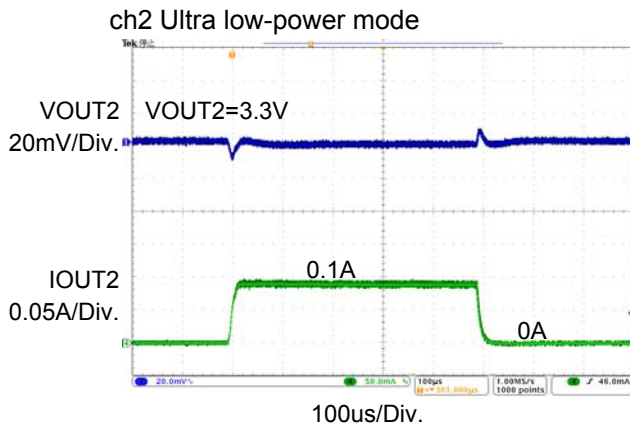
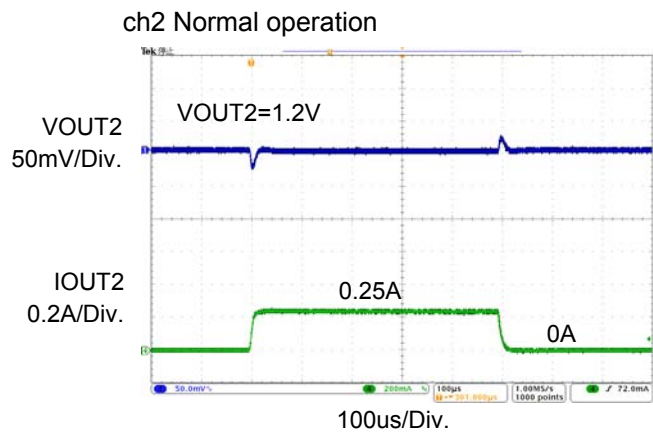
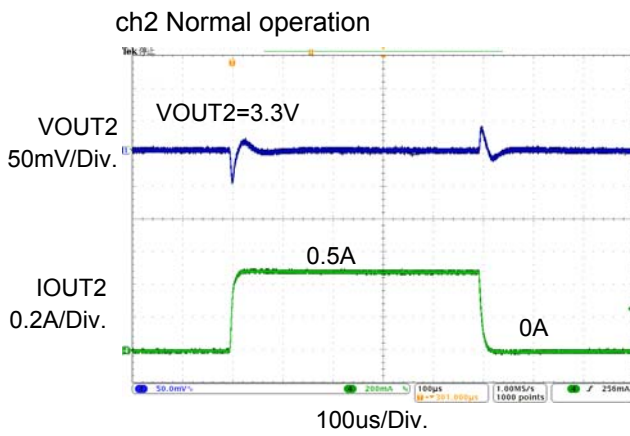
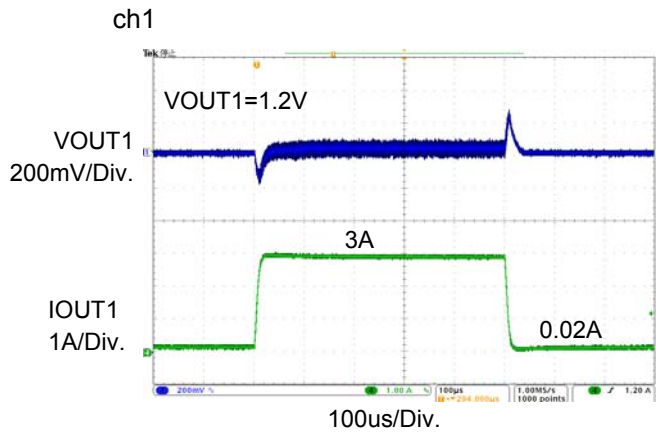
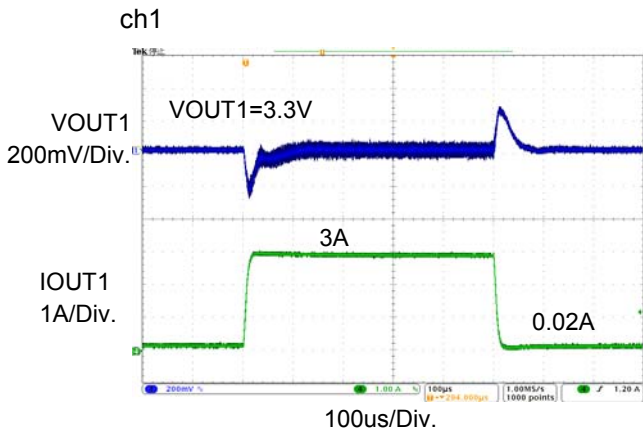
(Unless otherwise specified, $T_A = 25^\circ\text{C}$, $AV_{DD} = VP_{IN1} = VP_{IN2} = 5.0\text{ V}$)

Efficiency vs. Output Current (ch1)

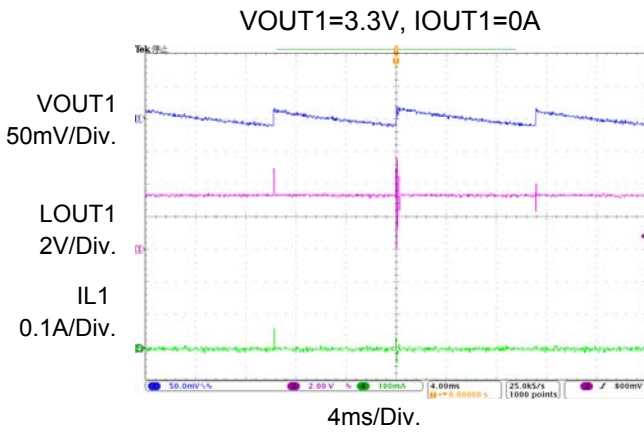
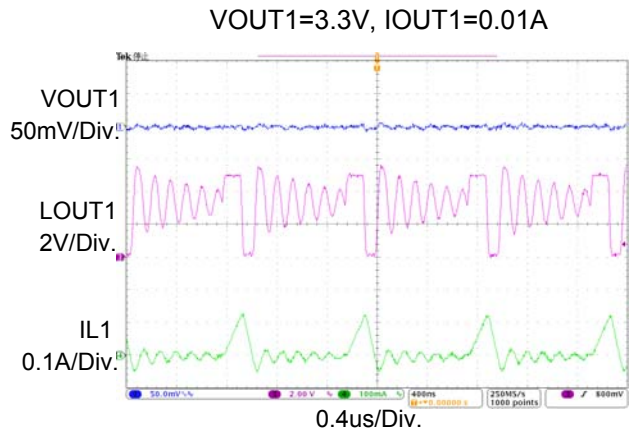
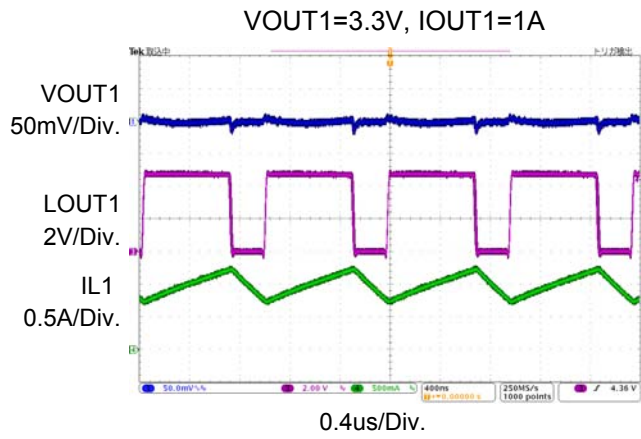


Load Step Transient Waveforms

TA = 25°C, VIN = 5V, L1 = 2.2uH, CIN1 = CIN2 = 10uF, COUT1 = 20uF, COUT2 = 10uF

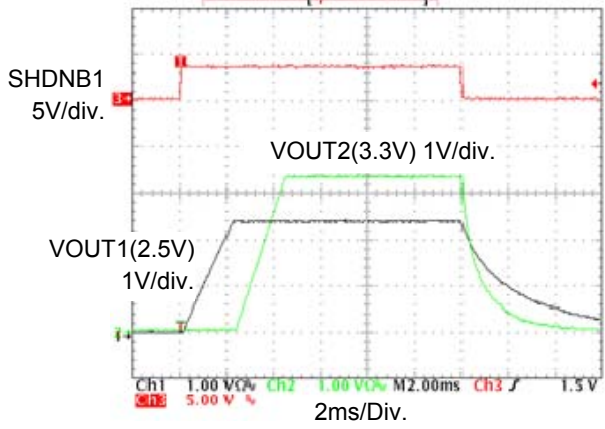


Ch1 Operation Waveforms

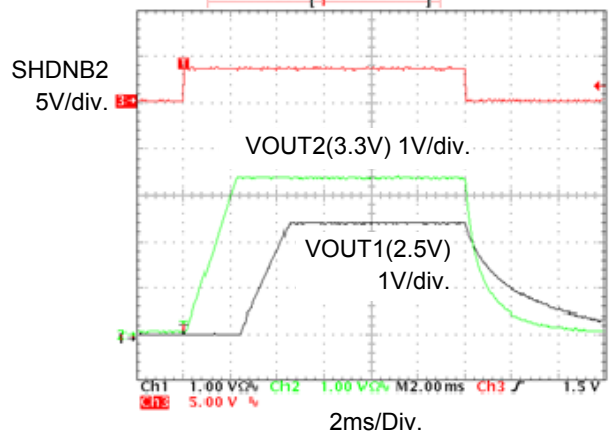


Start-up and Shutdown Waveforms

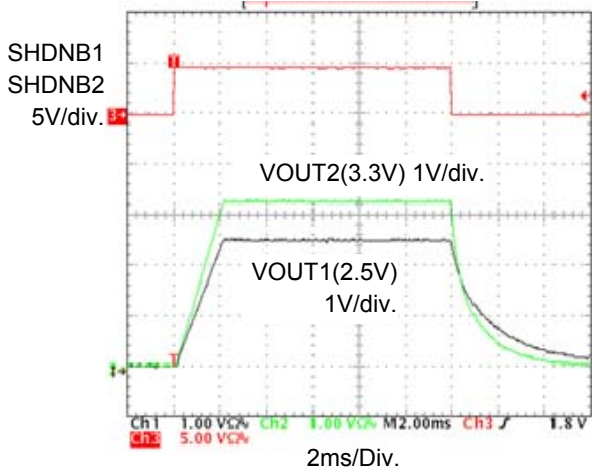
Only SHDNB1 ON



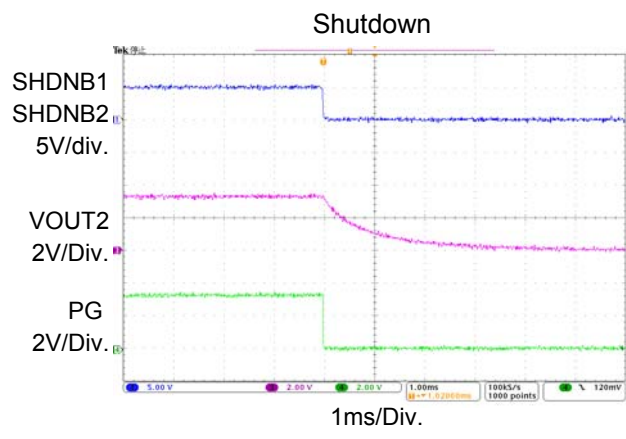
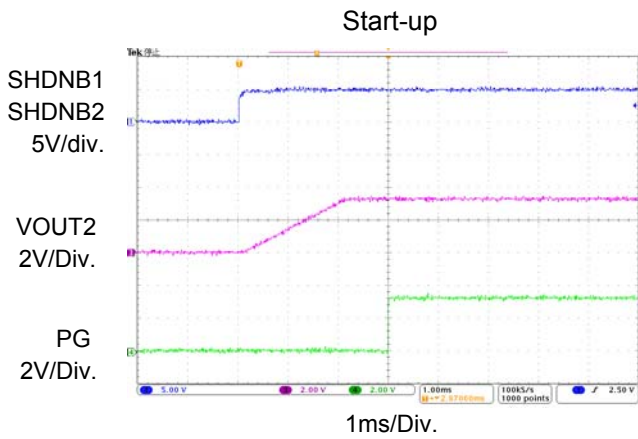
Only SHDNB2 ON



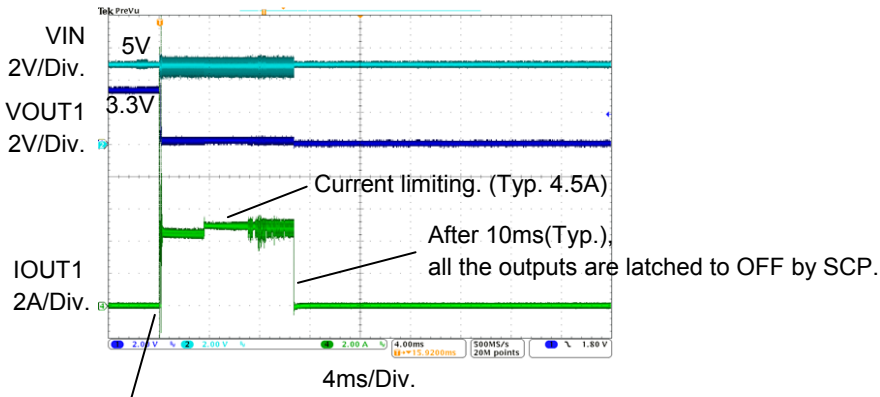
Both SHDNB1 and SHDNB2 ON at the same time



Power Good Waveform *PG pin is connected to ch2 output(3.3V)

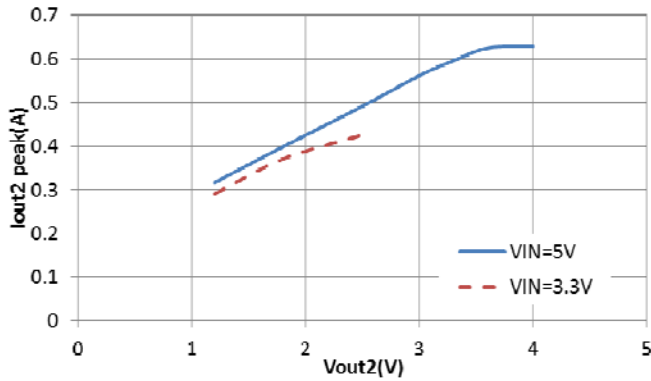


Short-circuit protection waveform

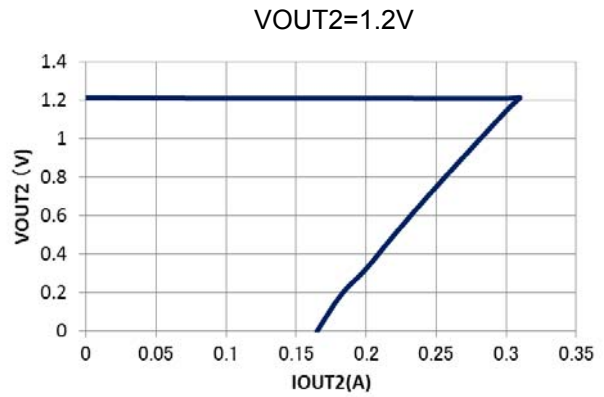
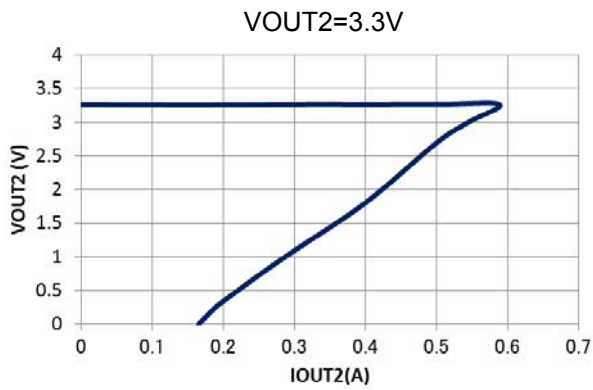


Ch1 output short-circuits.

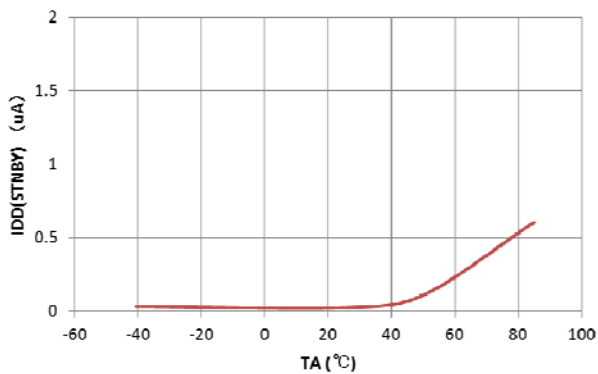
Ch2(LDO) peak output current vs. output voltage (VIN=5.0V)



Ch2(LDO) output voltage vs. output current (VIN=5.0V)

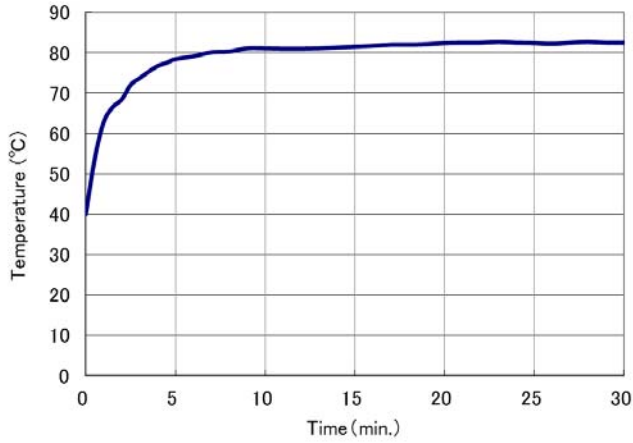


Standby current vs. Operating ambient temperature

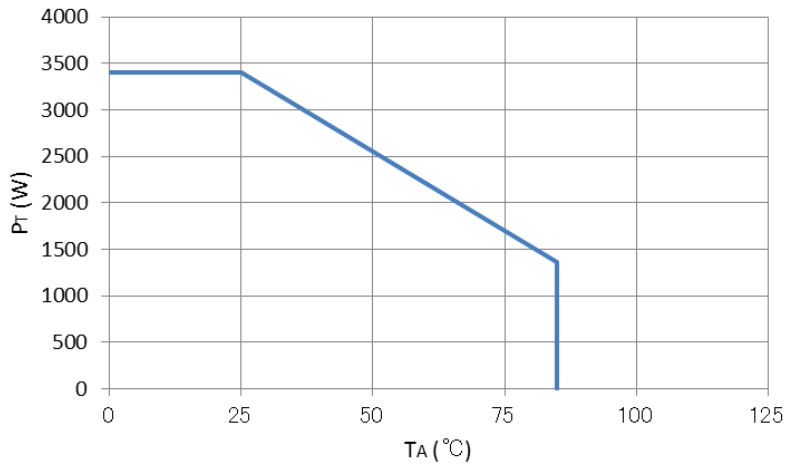


IC Surface Temperature vs. Time

Ch1 and ch2 operation (normal mode)
 VIN=5V
 ch1:3.3V, 2A ch2 : 1.8V, 0.3A
 T_A = 25°C
 Measured on Renesas Evaluation Board

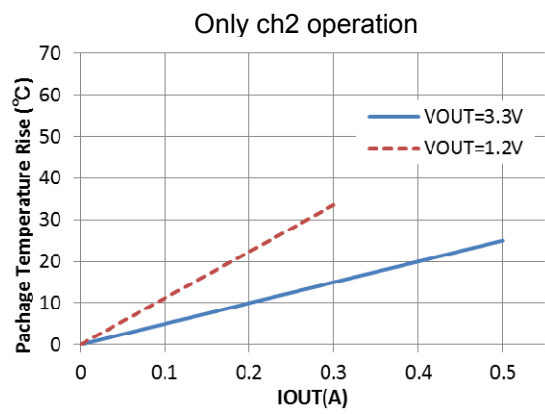
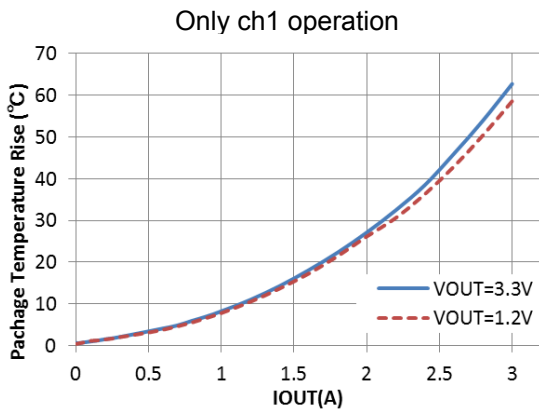


Temperature Derating Curve



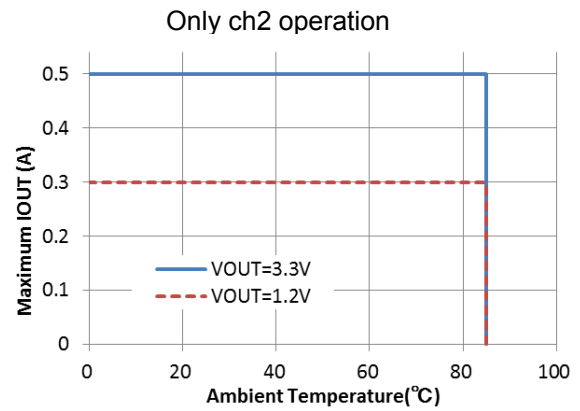
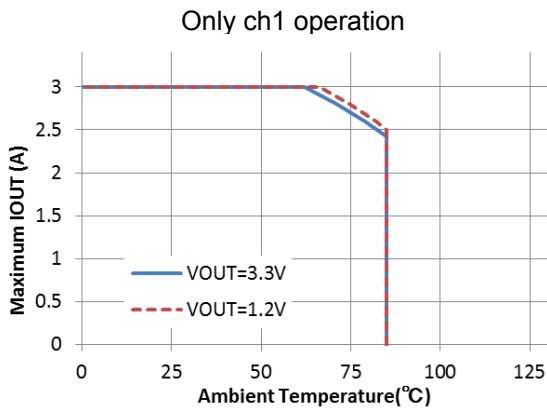
Package Temperature Rise vs. IOU

VIN=5.0V



Maximum IOU vs. Ambient Temperature

VIN=5.0V



Note : When calculate the package temperature with both ch1 and ch2 operation, reference these data.

Control Block

SHDNB1, SHDNB2: ON/OFF Setting

SHDNB1	SHDNB2	ch1	ch2
L	L	OFF	OFF
H	L	Start-up in order of ch1 and ch2 Stop ch1 and ch2 at the same time	
L	H	Start-up in order of ch2 and ch1 Stop ch1 and ch2 at the same time	
H	H	Start-up ch1 and ch2 at the same time Stop ch1 and ch2 at the same time	

Note: L: Low level, H: High level

OFF: circuit stand-by, ON: circuit operation status

When both SHDNB1 and SHDNB2 are H, RAA23021x continues operation even if one of them is turned to L.

RAA23021x stops when both of them are turned L.

DSTB: IC Ultra Low-Power Mode Setting

DSTB	IC Operation
L	Normal operation
H	Ultra low-power mode operation (ch1: stop, ch2: operation)

Note: L: Low level, H: High level

Output Status

V_{REG} Pin Status

SHDNB1	SHDNB2	DSTB	V _{REG}
L	L	L or H	AGND
H	L	L	2.4 V
L	H		
H	H		
H	L	H	AGND
L	H		
H	H		

Note: L: Low level, H: High level

ch1, ch2 Output Pin Status

ch1 · ch2 Status	ch1	ch2
	LOUT1	OUT2
Stop	PGND (Discharge circuit: On)*	AGND (Discharge circuit: On)
Operation	Pulse (V _{PIN1} or PGND)	Set voltage

Note: Ch1 discharge circuit is "On" during ultra low-power mode.

PG Pin Status (ch1, ch2 output detect)

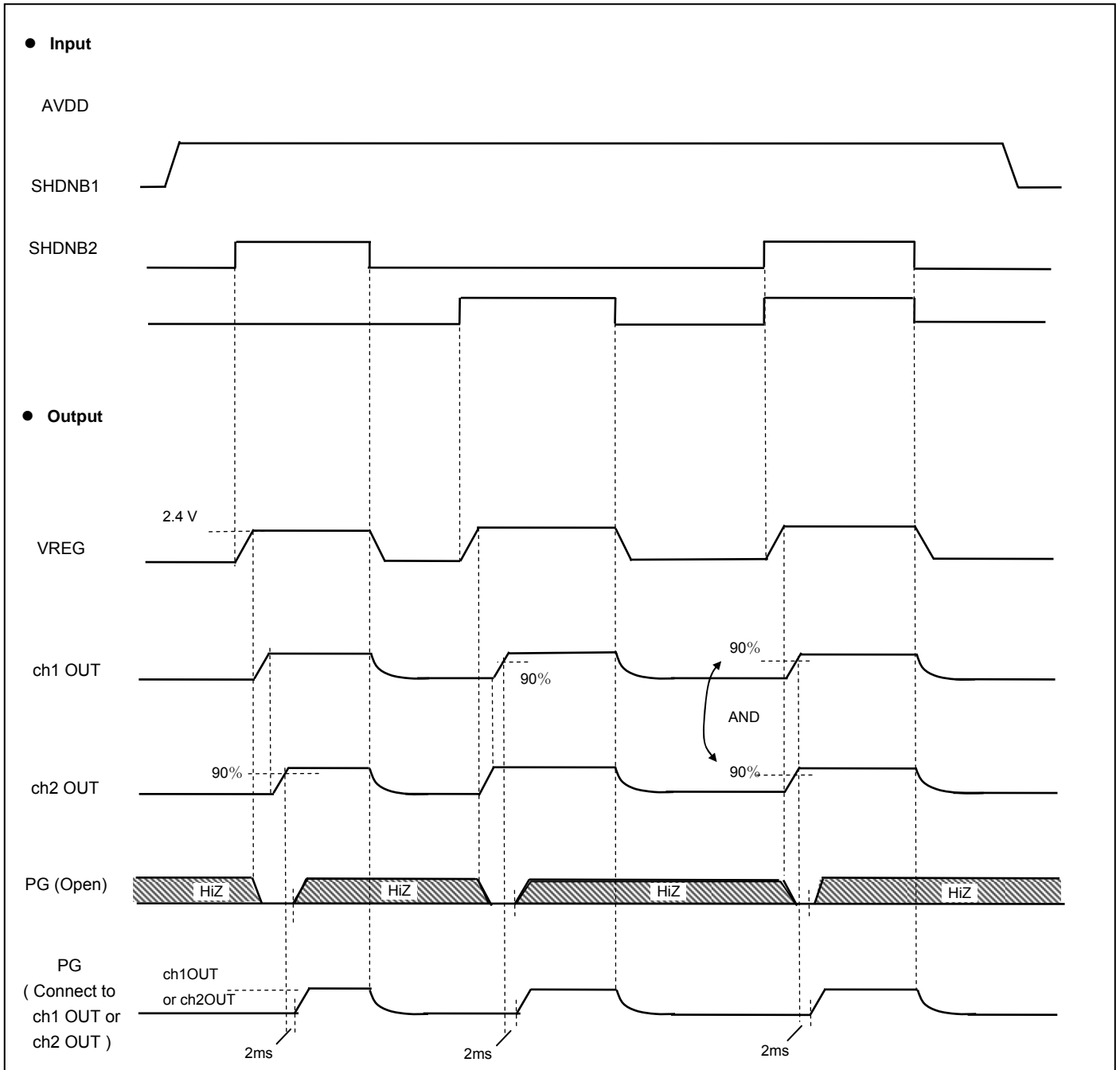
IC Operation Status			PG Output Status
SHDNB Pin	DSTB Pin	ch1, ch2 Output Status	
SHDNB1 = L SHDNB2 = L	L or H	Stop	HiZ
SHDNB1 = H or SHDNB2 = H	L	ch1 or ch2 output voltage is under 90% of the set voltage	L
		ch1 and ch2 output voltage are over 90% of the set voltage	HiZ
	H	ch1: Stop ch2: Operation (Both output voltage is over 90% of setting voltage and under 90%)	HiZ

Note: L: Low level, H: High level, HiZ: High impedance

Caution: When both ch1 and ch2 output voltage start up over 90%, there is delay time (under 2ms) before PG pin becomes HiZ.

When using power good (PG pin), connect it to ch1 or ch2 output. Recommended value of pull-up resistor is 100kΩ.

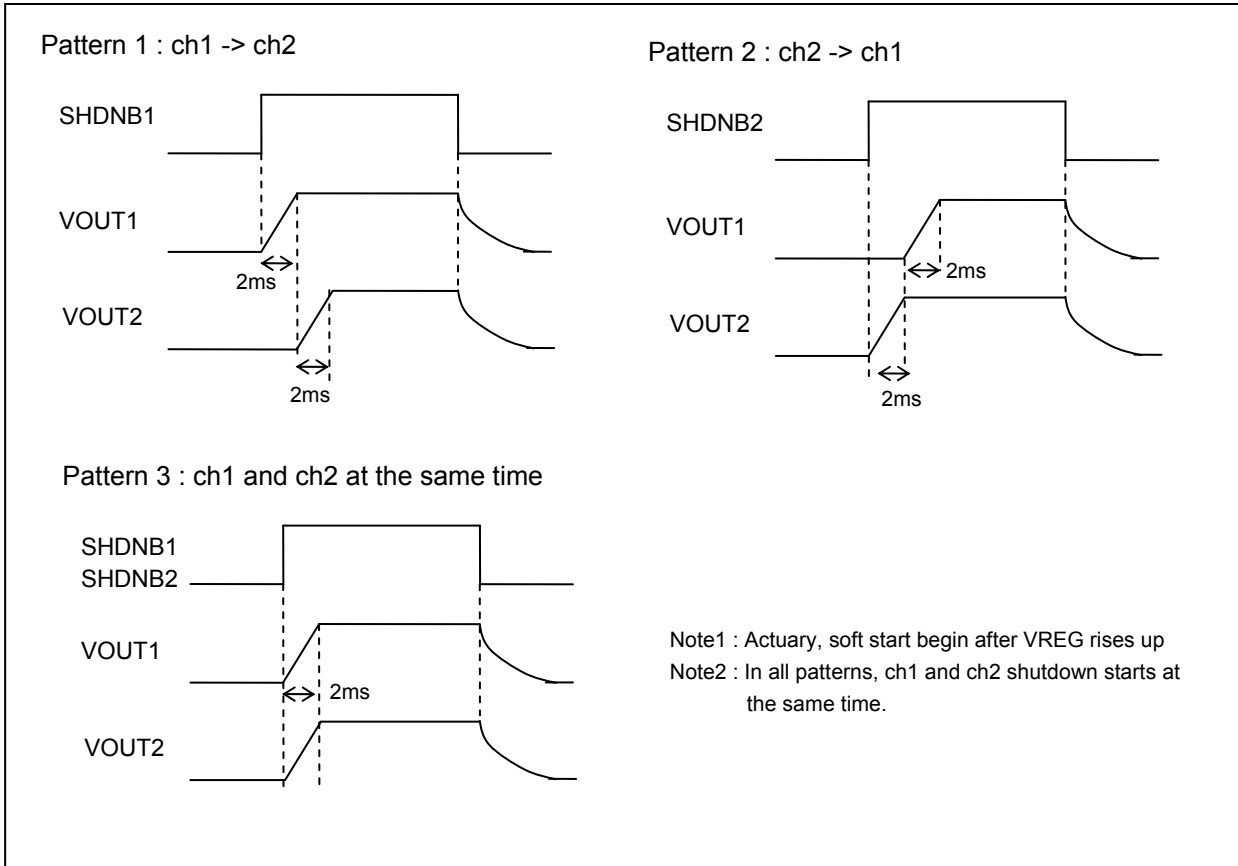
Timing Chart



Operation of Each Block (Overview)

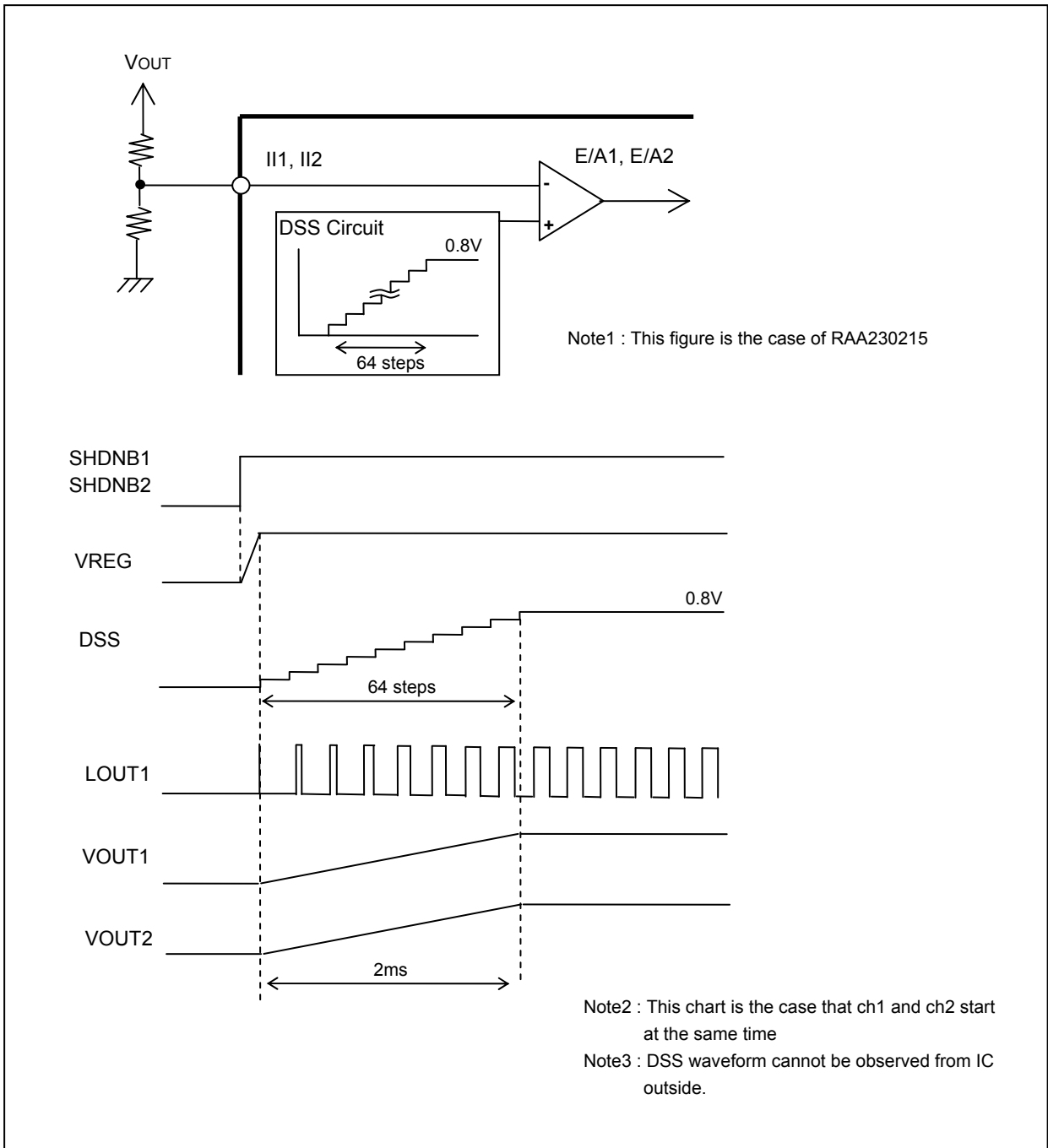
Rise up sequencer

The IC “rise up” sequence feature has 3 patterns described below. The internal “rise up” sequence capability does not need any additional external circuitry or components.



Soft start

To limit the startup inrush current and output voltage overshoot, a soft start circuit is used to ramp up the reference voltage from 0 V to its final value linearly. The soft start time are fixed for both ch1 and ch2 are 2ms(Typ.) and no additional components are needed. Soft start feature gradually increases the error amplifier (E/A) input threshold voltage by using the voltage that is generated by the digital soft start (DSS) circuit in 64 steps.

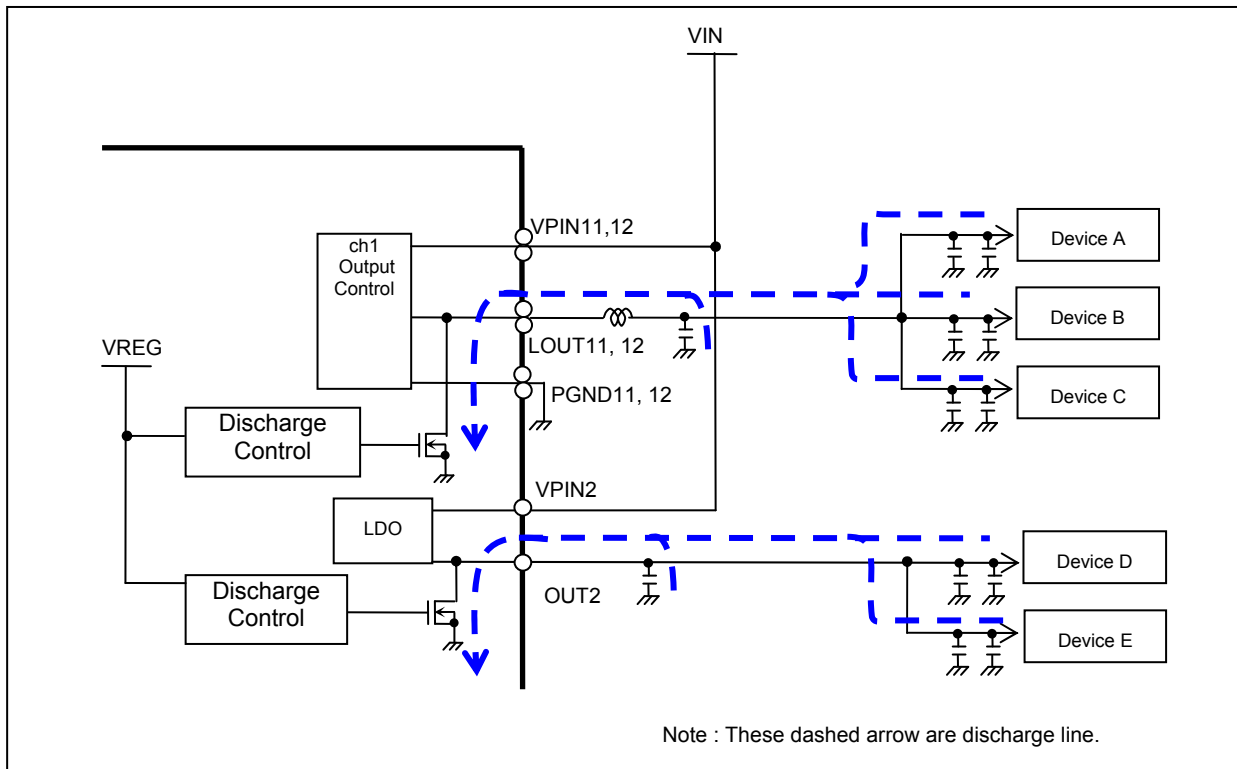


Discharge circuit

This IC has the discharge circuit for both ch1 and ch2. This enables a rapid discharge without an external MOSFET. When SHDNB pin is changed from high level to low, discharge switches of ch1 and ch2 turn on at the same time, and they discharge all capacitors which are connected to each output through LOUT1 and OUT2 pin.

When AVDD pin voltage becomes low level, discharge switches become off because there are no voltage to keep them on. The control voltage of discharge switches is VREG, and the discharge time of VREG capacitor is over 100ms when AVDD voltage fall down, so even if SHDNB pin is connected to AVDD pin, the output voltage of ch1 and ch2 can be discharged because VREG voltage level can keep the discharge switches on.

About calculation of discharge time, see page 30.



Power Good

Power Good (PG) is an open-drain output that requires a pull – up resistor (Recommended value = 100kΩ). PG releases when the both ch1 and ch2 FB voltage and thus the output voltage rises above 90% of nominal regulation point. The PG goes low when the FB voltage falls below 90% of the regulation point. When both SHDNB pins become low level, PG pin become high impedance (HiZ) because VREG is used for PG control and it fall down at this time. So, if PG is connected to AVDD, its status keep high level. PG pin must be connected to ch1 or ch2 output.

This function can be used for sequence signal for other devices.

Protection Circuit View

Protection Circuit	Function	Operation Status		Reset
		Common Circuit (V _{REG} , OSC, etc.)	Output	
Short-circuit protection (SCP) *Only ch1	Detect ch1 output voltage dropping because of short-circuit, etc. (Timer latch type)	Operation	All the output are latched to OFF	Change SHDNB1 pin and SHDNB2 pin from high to low or Drop AV _{DD} pin input voltage under the operation stop voltage (2.8 V)
Thermal shutdown circuit (TSD)	Detect increase of IC internal temperature (Over 150°C) (Timer latch type)	Operation	All the output are latched to OFF	
Over current protection (OCP) *Only ch2	Detect ch2 over current	Operation	ch2 output is down (ch1 continues operation)	Release over current status (Under the output short-circuit current: 100 mA)
Under voltage lockout circuit (UVLO)	Detect dropping of AV _{DD} (IC power supply)	Operation ^{*1}	All the outputs are stop	Up AV _{DD} pin input voltage over the operation start voltage (2.9 V)

Note: The common circuit stops if AV_{DD} is lower than V_{REG}.

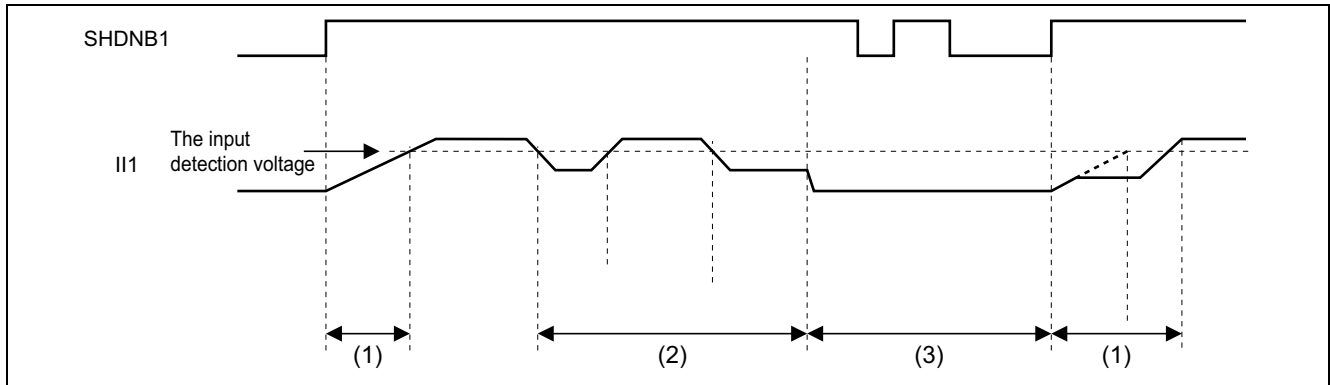
When ultra low-power mode, these protection circuits DO NOT operate.

Short-Circuit Protection Circuit (ch1)

When the voltage of ch1 drops, the voltage of the II1 pin also drops. If it falls below the input detection voltage of the short-circuit protection circuit (under 75% of output voltage), the timer circuit starts operating. And after 10 ms, all the outputs are latched to OFF. At this time, common circuits (such as the internal power supply block, and oscillator, etc.) continue operating.

When the short-circuit protection circuit is operating, to reset the latch circuit, either change the level of the SHDNB1 pin and SHDNB2 pin from high to low or drop the level of the power supply voltage (AV_{DD}) to the level below the operation stop voltage of the under voltage lockout circuit (2.8 V).

- Timing Chart (when ch1 is short circuited)



(1) At starting

- A short-circuit will not be detected while the ch1 is undergoing a soft start (that is, short-circuit protection is not triggered). If a short circuit occurs while ch1 is starting, short-circuit protection will start after the soft start time elapses following startup.
- If a short-circuit occurs in a channel that is operating while another channel is being soft-started, short-circuit protection will start immediately.

(2) Short-circuit protection operation

- If a short circuit is detected in ch1 (ch1 II pin voltage is lower than the input detection voltage except soft-start period), the timer circuit starts operating. And after 10 ms, all the outputs are latched to OFF.
- Common circuits (such as the internal power supply block, and oscillator, etc.) continue operating.

(3) Cancelling short-circuit protection

- To reset the latch circuit, either change the level of the SHDNB1 pin and SHDNB2 pin from high to low, or drop the level of the power supply voltage (AV_{DD}) to the operation stop voltage of the under voltage lockout circuit (2.8 V).

Thermal Shutdown Circuit (Timer Latch Type)

After overheating has been detected (shutdown temperature: 150°C or higher), the timer circuit starts operating (as same as SCP). And after 10 ms, all the outputs are latched to OFF. Common circuits (such as the internal power supply block, and oscillator, etc.) continue operating.

When the thermal shutdown circuit is operating, either change the level of the SHDNB1 pin and SHDNB2 pin from high to low, or drop the level of the power supply voltage (AV_{DD}) to the operation stop voltage of the under voltage lockout circuit (2.8 V).

When ultra low-power mode, this circuits DOES NOT operate.

Under Voltage Lockout Circuit (Auto Recovery Type)

(1) Under voltage lockout operation

When the power supply voltage (AV_{DD}) falls to the operation stop voltage (2.8 V), output from all channels stops. Common circuits (such as the internal power supply block, and oscillator, etc.) continue operating.

(2) Restoring output

Once AV_{DD} voltage is restored to the operation start voltage (2.9 V), the under voltage lockout operation is canceled and output automatically resumes. The output voltage cannot be restored while the under voltage lockout circuit is operating, not even by manipulating the SHDNB pin.

When ultra low-power mode, this circuits DOES NOT operate.

Current Limiting

Ch1 operates under the current control mode. If an overcurrent occurs, the current is limited on a pulse-by-pulse basis. If the current sensor detects an overcurrent, the current is limited and the switching operation of the Power MOSFET in the output stage stops until the next cycle.

When the ch1 current is limited, the output voltage drops. If the ch1 II pin voltage falls below the input detection voltage, the short-circuit protection circuit starts operating.

Reference data (Unless otherwise specified, $T_A = 25^\circ\text{C}$, $AV_{DD} = VP_{IN1} = 5.0\text{ V}$)

Item		Symbol	Min	Typ	Max	unit	Measurement condition
Current limit value	ch1 Current limet 1	I_{LIM1_1}	—	4.5	—	A	ch1OUT 3.3V
	ch1 Current limet 2	I_{LIM1_2}	—	4.5	—	A	ch1OUT 1.2V

Note: These data are for reference and not guaranteed as specifications.

Reverse Current Protection (ch1)

Ch1 have a reverse current protection circuit. When the bottom of inductor current is under ground, low-side N-ch MOSFET of output block is stopped, and ch1 operate as diode rectification. So, consumption current at light load can be reduced.

Over Current Protection (ch2)

Ch2 have a fold back type current protection circuit. If over current occur, protection operation is started and load current is limited (output short-circuit current: 100 mA).

Peak output current depend on output voltage. When $VPIN2=5V$ and $VOUT2=3.3V$, it is over 550mA.

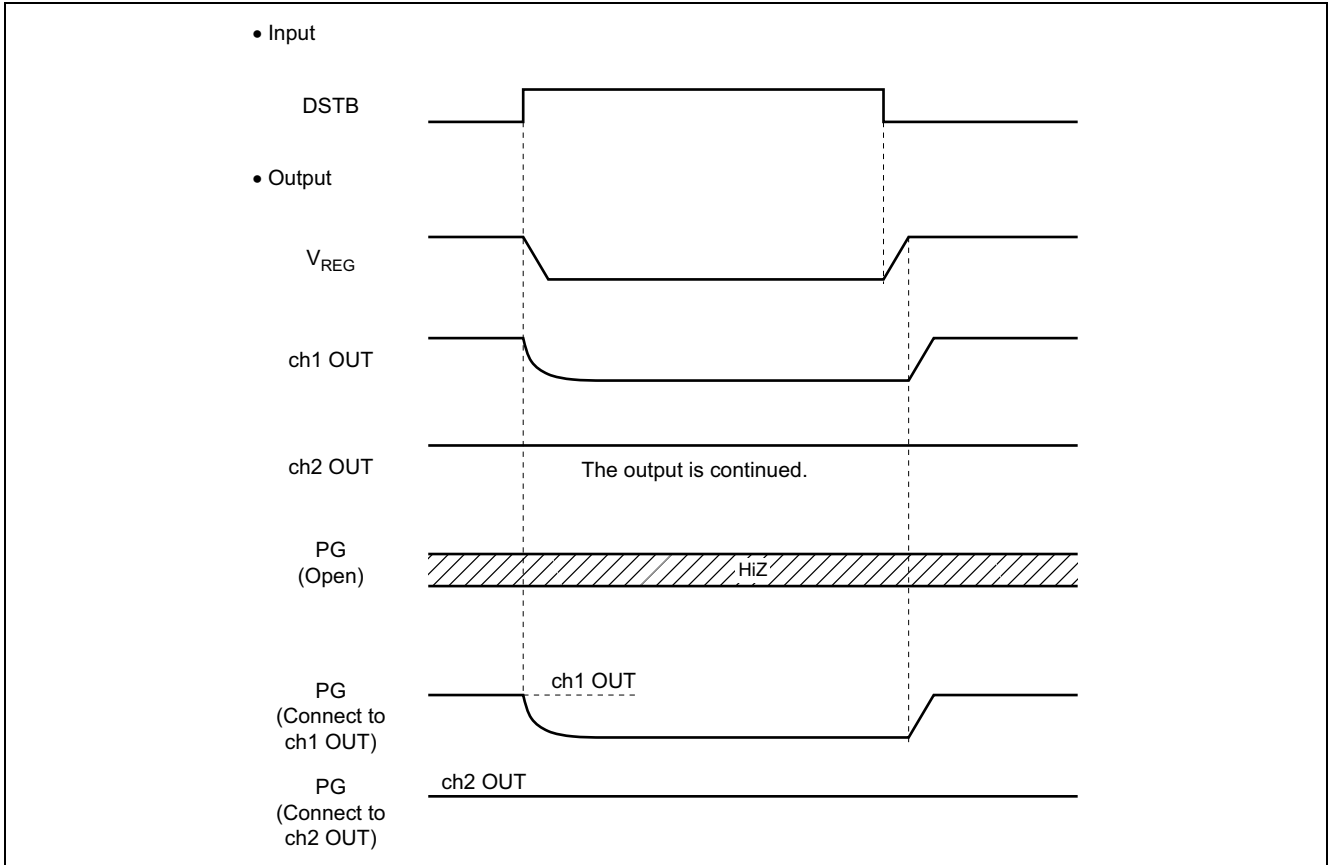
When ultra low-power mode, this circuits DOES NOT operate.

Ultra Low-Power Mode

This IC has the ultra-low power mode. By setting DSTB pin into high level, the IC operates in the ultra-low power mode, and ch2 (LDO) operates. Then the consumption current is 25 μ A (TYP.) and ch1 stops. If DSTB pin is set from high level to low level, the IC operation changes to normal mode, and ch1 starts up with soft start.

When ultra low-power mode, protection circuits DOES NOT operate.

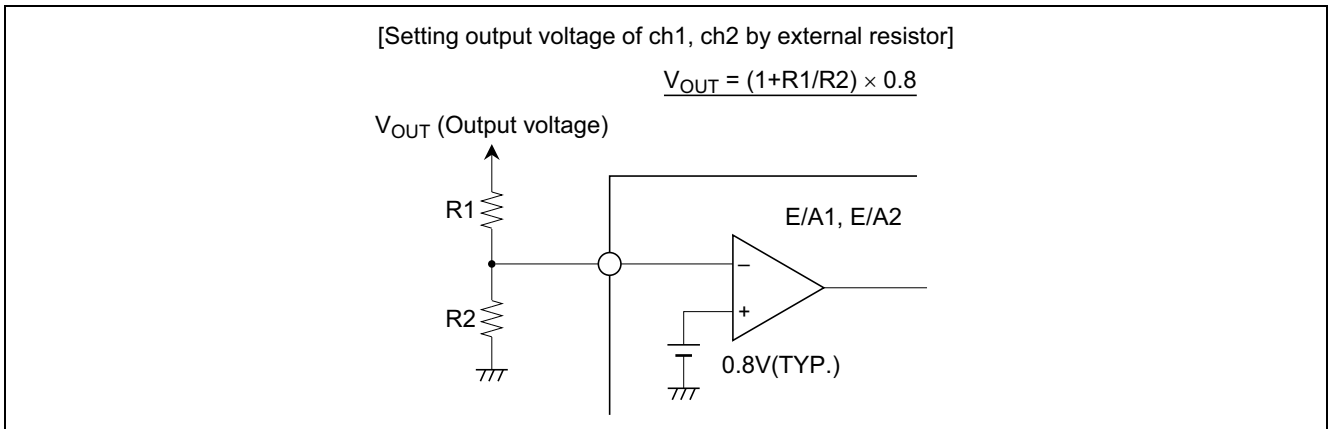
- Timing chart



Advance on Designing

Setting Output Voltage (When the output voltage is set by external resistor)

The output voltage settings are shown in the figures below. The output voltage can be calculated by the equations shown in these figures.



Examples of R1 and R2 selection

Vout	0.9V	1.0V	1.05V	1.1V	1.18V	1.2V	1.5V	1.8V	2.5V	3.3V
R1	12k	16k	16k	15k	39k	15k	24k	30k	100k	75k
R2	91k	62k	51k	39k	82k	30k	27k	24k	47k	24k

Output voltage accuracy (When the output voltage is set by external resistor)

Output voltage accuracy can be calculated by an equation below.

$$V_{OUTACC} = V_{ITHACC} + \frac{(V_{out} - V_{TH})}{V_{out}} \times 2 \times R_{ACC}$$

V_{OUTACC} is the output voltage accuracy (%).

V_{ITHACC} is the E/A input threshold voltage accuracy (%).

V_{OUT} is the output voltage (V).

R_{ACC} is the external resistor accuracy (%).

So, each ch1 and ch2 output voltage accuracy is below.

$$V_{OUT1ACC} = 2.5 + \frac{(V_{out} - 0.8)}{V_{out}} \times 2 \times R_{ACC}$$

$$V_{OUT2ACC} = 1 + \frac{(V_{out} - 0.8)}{V_{out}} \times 2 \times R_{ACC}$$

Note : These equation don't include Vout fluctuation by load step transient.

Handling of pins when not used

Connect unused pins as below.

Always connect AVDD pin, VPIN1 pin and VPIN2 pin with power supplies, and connect PGND1 pin and AGND with the ground.

When DSTB pin is not used:.

Pin number	Pin name	Connection
18	DSTB	AGND

When SHDNB1 pin is not used:.

Pin number	Pin name	Connection
20	SHDNB1	AGND

When SHDNB2 pin is not used:.

Pin number	Pin name	Connection
19	SHDNB2	AGND

When PG pin is not used:.

Pin number	Pin name	Connection
12	PG	AGND

Inductor selection

It is recommended to choose an inductor whose ripple current (ΔI_L) becomes 20 to 40 % of $I_{out(max)}$.

When ΔI_L increases, inductor current peak rises, so ripple of V_{out} gets larger and power loss increases. But, large inductor is required to lower ΔI_L .

ΔI_L can be calculated by an equation below.

$$\Delta I_L = \frac{(V_{in} - V_{out})}{L} \times \frac{V_{out}}{V_{in}} \times \frac{1}{f_{sw}}$$

f_{sw} is 1MHz.

Peak current of inductor (I_{Lpeak}) can be calculated by an equation below.

$$I_{Lpeak} = I_{OUT(MAX)} + \frac{\Delta I_L}{2}$$

Choose an inductor whose saturation current is higher than I_{Lpeak} .

Inductor Example

ch	Output Current	Inductor	Manufacturer	Inductance (uH)	I_{TEMP} (A)	I_{SAT} (A)	Size (LxWxT, mm)
ch1	less than 1.5A	VLF504012MT-3R3M	TDK	3.3	2.4	2.1	5x4x1.2
		NRS4018T3R3MDGJ	TAIYO YUDEN	3.3	2	2.3	4x4x1.8
		744042003	WURTH	3.3	1.9	1.8	4.8x4.8x1.8
	1.5A to 3A	LTF5022T-2R2N3R2-LC	TDK	2.2	3.4	3.2	5.2x5x2.2
		NR5024T2R2NMGJ	TAIYO YUDEN	2.2	3.1	4.1	4.9x4.9x2.4
		744062002	WURTH	2.2	3.4	2.7	6.8x6.8x2.3
		LTF5022T-1R5N3R6-LC	TDK	1.5	3.4	3.2	5.2x5x2.2
		NR6020T1R5N	TAIYO YUDEN	1.5	3.2	4	6x6x2
		7440620015	WURTH	1.5	4.3	4	6.8x6.8x2.3

Note I_{TEMP} : Rated current by temperature rising

I_{SAT} : Rated current by inductance loss

These inductors are examples. About inductor detail, contact each manufacturer

Output capacitor selection

Each channel of RAA23021x has a phase compensation circuit which is optimized to each operation. In order to operate stably with the phase compensation, connect the output capacitor :

DC/DC converter (ch1) : over 22uF

LDO (ch2) : over 10uF

Ceramic capacitor can be used for output capacitor. It has low ESR, so VOUT ripple is decreased.

VOUT ripple (ΔV_{rpl}) can be calculated by an equation below.

$$\Delta V_{rpl} = \Delta I_L \times \left(ESR + \frac{1}{(8 \times C_{OUT} \times f_{SW})} \right)$$

Input capacitor selection

Recommended input capacitor of DC/DC converter can be calculated by an equation below. Connect the capacitor that value is over calculated one.

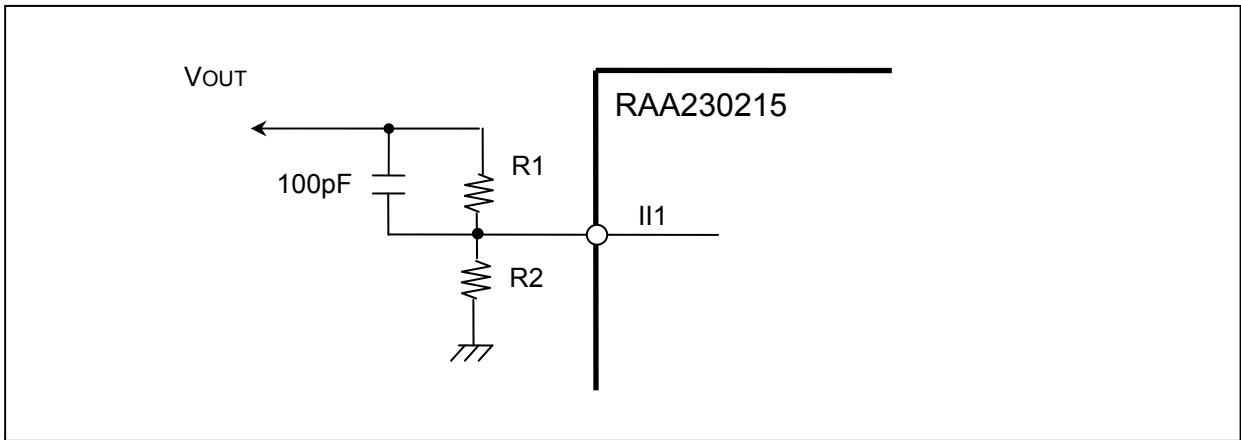
$$C_{IN} \geq \frac{I_{OUT(MAX)} \times \frac{V_{OUT}}{V_{IN}}}{\Delta V_{IN} \times f_{SW}}$$

About LDO, connect the capacitor that value is over 10uF.

Feedback capacitor

When RAA230215 (output voltage is set by external resistors) is used, connect 100pF capacitor in parallel to high side output voltage setting resistor of ch1 to improve phase characteristic.

Don't use at ch2.



Discharge time

RAA23021x has discharge circuit. Discharge time can be calculated by an equation below.

$$V_{dc} = V_{OUT} \times e^{-\frac{t_{dc}}{C_{ALL} \times R_{ondc}}}$$

V_{dc} is a voltage after t_{dc} (s).

C_{ALL} is sum of all capacitance which are connected to the output of RAA23021x (output capacitor, bypass capacitor around MCU, etc.).

R_{ondc} is on resistance of discharge circuit.

Notes on Use

Connection of power input pin

Be sure to apply the same voltage to AV_{DD} pin and VP_{IN11} pin.
VP_{IN2} input voltage must be same or less than AV_{DD}.

PG Connection

When using power good (PG pin), connect it to ch1 or ch2 output. If PG is connected to AV_{DD}, PG outputs high (AV_{DD}) when SHDNB1 and SHDNB2 is low (because PG is high impedance when SHDNB1 and SDHNB2 is low).

Protection Circuit at Ultra Low-Power Mode

When ultra low-power mode, all protection circuits DO NOT operate.

Actual Pattern Wiring

To actually perform pattern wiring, separate the ground of the control signals (AGND) from the ground of the power signals (PGND), so that these signals do not have common impedance as much as possible. In addition, lower the high-frequency impedance by using a capacitor, so that noise is not superimposed on the V_{REG} pin.

Connection of Exposed PAD

RAA23021x has an exposed pad on the bottom to improve radiation performance. On the mounting board, connect to AGND.

Connection of Component Ground

When connecting a component to ground, connect to the ground below.

Component	Connect Ground
ch1 input capacitor, ch1 output capacitor	PGND
ch2 input capacitor, ch2 output capacitor ch1 output voltage setting resistor (low side) ch2 output voltage setting resistor (low side) VREG capacitor	AGND

Fixed Usage of Control Input Pin

When using fixed input pins SHDNB1, SHDNB2, DSTB input pins, connect each input to the pins listed below.

Input Pin	Connect Pin	
	Fixed to Low Level	Fixed to High Level
SHDNB1	AGND	AV _{DD}
SHDNB2	AGND	AV _{DD}
DSTB	AGND	AV _{DD}

Connection of Test Pin

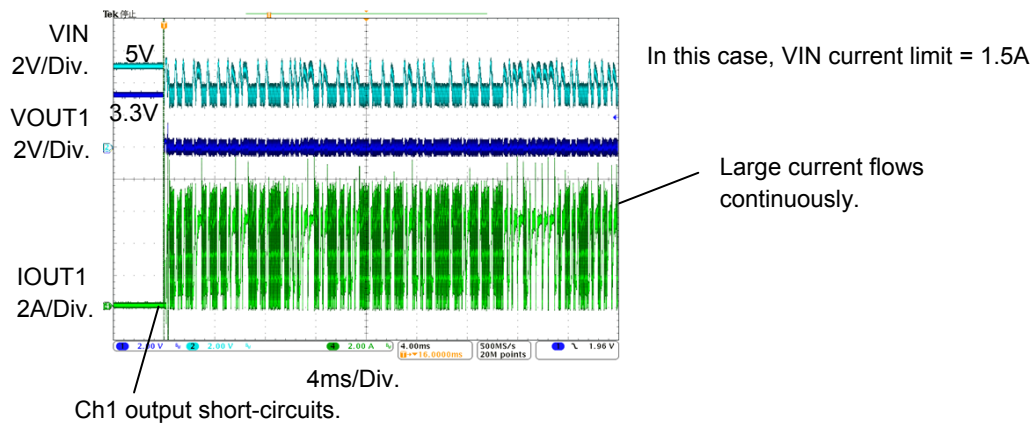
Connect each test pin to the pins listed below.

Test Pin	Connect Pin
TEST1	AGND
TEST2	VREG
TEST3	OPEN

The case short-circuit is not protected.

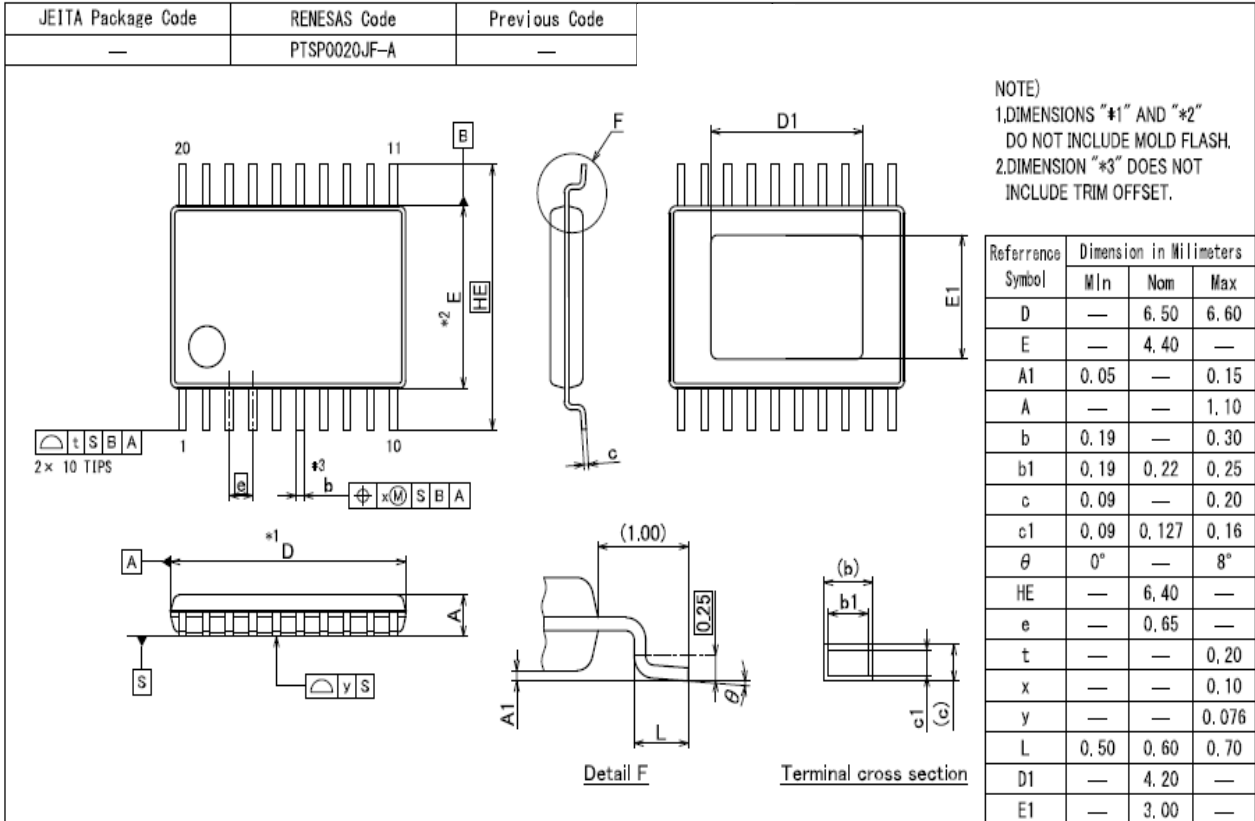
If a power supply of RAA23021x has current limit which is under ch1 current limit 4.5A (Typ.), the voltage and thus AVDD falls when ch1 output short-circuits. If it becomes under operation stop voltage of UVLO (Typ. 2.8V), all the output voltage are stopped. Then ch1 short-circuit is stopped, so AVDD recovers. After it becomes above operation start voltage of UVLO (Typ. 2.9V), ch1 and ch2 output are restored, and ch1 short-circuits again. A large current may flow continuously by repeating these operations.

To avoid devices destruction by the large current, set the power supply current limit higher or use a fuse into the power supply line.



Package Dimensions

20-pin HTSSOP



Revision History	RAA23021x Datasheet
-------------------------	----------------------------

Rev.	Date	Description	
		Page	Summary
1.01	Jan 17, 2014	-	First Edition of datasheet issued
1.02	Jul 23, 2014	2	Circuit example, added
		7	Range of "Circuit operation current 2" and "Internal power supply voltage", changed

All trademarks and registered trademarks are the property of their respective owners.

Notice

1. Descriptions of circuits, software and other related information in this document are provided only to illustrate the operation of semiconductor products and application examples. You are fully responsible for the incorporation of these circuits, software, and information in the design of your equipment. Renesas Electronics assumes no responsibility for any losses incurred by you or third parties arising from the use of these circuits, software, or information.
2. Renesas Electronics has used reasonable care in preparing the information included in this document, but Renesas Electronics does not warrant that such information is error free. Renesas Electronics assumes no liability whatsoever for any damages incurred by you resulting from errors in or omissions from the information included herein.
3. Renesas Electronics does not assume any liability for infringement of patents, copyrights, or other intellectual property rights of third parties by or arising from the use of Renesas Electronics products or technical information described in this document. No license, express, implied or otherwise, is granted hereby under any patents, copyrights or other intellectual property rights of Renesas Electronics or others.
4. You should not alter, modify, copy, or otherwise misappropriate any Renesas Electronics product, whether in whole or in part. Renesas Electronics assumes no responsibility for any losses incurred by you or third parties arising from such alteration, modification, copy or otherwise misappropriation of Renesas Electronics product.
5. Renesas Electronics products are classified according to the following two quality grades: "Standard" and "High Quality". The recommended applications for each Renesas Electronics product depends on the product's quality grade, as indicated below.
"Standard": Computers; office equipment; communications equipment; test and measurement equipment; audio and visual equipment; home electronic appliances; machine tools; personal electronic equipment; and industrial robots etc.
"High Quality": Transportation equipment (automobiles, trains, ships, etc.); traffic control systems; anti-disaster systems; anti-crime systems; and safety equipment etc.
Renesas Electronics products are neither intended nor authorized for use in products or systems that may pose a direct threat to human life or bodily injury (artificial life support devices or systems, surgical implantations etc.), or may cause serious property damages (nuclear reactor control systems, military equipment etc.). You must check the quality grade of each Renesas Electronics product before using it in a particular application. You may not use any Renesas Electronics product for any application for which it is not intended. Renesas Electronics shall not be in any way liable for any damages or losses incurred by you or third parties arising from the use of any Renesas Electronics product for which the product is not intended by Renesas Electronics.
6. You should use the Renesas Electronics products described in this document within the range specified by Renesas Electronics, especially with respect to the maximum rating, operating supply voltage range, movement power voltage range, heat radiation characteristics, installation and other product characteristics. Renesas Electronics shall have no liability for malfunctions or damages arising out of the use of Renesas Electronics products beyond such specified ranges.
7. Although Renesas Electronics endeavors to improve the quality and reliability of its products, semiconductor products have specific characteristics such as the occurrence of failure at a certain rate and malfunctions under certain use conditions. Further, Renesas Electronics products are not subject to radiation resistance design. Please be sure to implement safety measures to guard them against the possibility of physical injury, and injury or damage caused by fire in the event of the failure of a Renesas Electronics product, such as safety design for hardware and software including but not limited to redundancy, fire control and malfunction prevention, appropriate treatment for aging degradation or any other appropriate measures. Because the evaluation of microcomputer software alone is very difficult, please evaluate the safety of the final products or systems manufactured by you.
8. Please contact a Renesas Electronics sales office for details as to environmental matters such as the environmental compatibility of each Renesas Electronics product. Please use Renesas Electronics products in compliance with all applicable laws and regulations that regulate the inclusion or use of controlled substances, including without limitation, the EU RoHS Directive. Renesas Electronics assumes no liability for damages or losses occurring as a result of your noncompliance with applicable laws and regulations.
9. Renesas Electronics products and technology may not be used for or incorporated into any products or systems whose manufacture, use, or sale is prohibited under any applicable domestic or foreign laws or regulations. You should not use Renesas Electronics products or technology described in this document for any purpose relating to military applications or use by the military, including but not limited to the development of weapons of mass destruction. When exporting the Renesas Electronics products or technology described in this document, you should comply with the applicable export control laws and regulations and follow the procedures required by such laws and regulations.
10. It is the responsibility of the buyer or distributor of Renesas Electronics products, who distributes, disposes of, or otherwise places the product with a third party, to notify such third party in advance of the contents and conditions set forth in this document, Renesas Electronics assumes no responsibility for any losses incurred by you or third parties as a result of unauthorized use of Renesas Electronics products.
11. This document may not be reproduced or duplicated in any form, in whole or in part, without prior written consent of Renesas Electronics.
12. Please contact a Renesas Electronics sales office if you have any questions regarding the information contained in this document or Renesas Electronics products, or if you have any other inquiries.
(Note 1) "Renesas Electronics" as used in this document means Renesas Electronics Corporation and also includes its majority-owned subsidiaries.
(Note 2) "Renesas Electronics product(s)" means any product developed or manufactured by or for Renesas Electronics.



SALES OFFICES

Renesas Electronics Corporation

<http://www.renesas.com>

Refer to "<http://www.renesas.com/>" for the latest and detailed information.

Renesas Electronics America Inc.
2880 Scott Boulevard Santa Clara, CA 95050-2554, U.S.A.
Tel: +1-408-586-6000, Fax: +1-408-588-6130

Renesas Electronics Canada Limited
1101 Nicholson Road, Newmarket, Ontario L3Y 9C3, Canada
Tel: +1-905-898-5441, Fax: +1-905-898-3220

Renesas Electronics Europe Limited
Dukes Meadow, Millboard Road, Bourne End, Buckinghamshire, SL8 5FH, U.K.
Tel: +44-1628-651-700, Fax: +44-1628-651-804

Renesas Electronics Europe GmbH
Arcadiastrasse 10, 40472 Düsseldorf, Germany
Tel: +49-211-65030, Fax: +49-211-6503-1327

Renesas Electronics (China) Co., Ltd.
7th Floor, Quantum Plaza, No.27 ZhiChunLu Haidian District, Beijing 100083, P.R.China
Tel: +86-10-8235-1155, Fax: +86-10-8235-7679

Renesas Electronics (Shanghai) Co., Ltd.
Unit 301, Tower A, Central Towers, 555 LanGao Rd., Putuo District, Shanghai, China
Tel: +86-21-2226-0888, Fax: +86-21-2226-0999

Renesas Electronics Hong Kong Limited
Unit 1601-1613, 16/F., Tower 2, Grand Century Place, 193 Prince Edward Road West, Mongkok, Kowloon, Hong Kong
Tel: +852-2886-9318, Fax: +852 2886-9022/9044

Renesas Electronics Taiwan Co., Ltd.
13F, No. 363, Fu Shing North Road, Taipei, Taiwan
Tel: +886-2-8175-9600, Fax: +886 2-8175-9670

Renesas Electronics Singapore Pte. Ltd.
80 Bendemeer Road, Unit #06-02 Hyflux Innovation Centre Singapore 339949
Tel: +65-6213-0200, Fax: +65-6213-0300

Renesas Electronics Malaysia Sdn.Bhd.
Unit 906, Block B, Menara Amcorp, Amcorp Trade Centre, No. 18, Jin Persiaran Barat, 46050 Petaling Jaya, Selangor Darul Ehsan, Malaysia
Tel: +60-3-7955-9390, Fax: +60-3-7955-9510

Renesas Electronics Korea Co., Ltd.
12F., 234 Teheran-ro, Gangnam-Gu, Seoul, 135-080, Korea
Tel: +82-2-558-3737, Fax: +82-2-558-5141