



### WEIGHT

1.29g/cm (.116 oz/in)

### RECOMMENDED TORQUE

17.7 N-cm (25 in-oz)

### MATERIALS AND FINISH

#### HOUSING

##### Material:

.025-in. (.64-mm) thick  
Beryllium Copper per QQ-C-533

##### Finish:

See finish table on opposite page

#### CAM

##### Material:

Beryllium Copper per QQ-C-533

##### Finish:

See finish table on opposite page

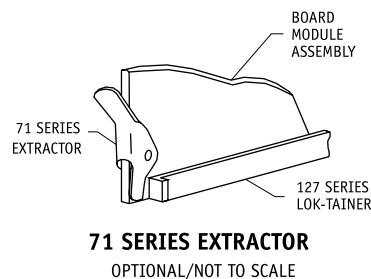
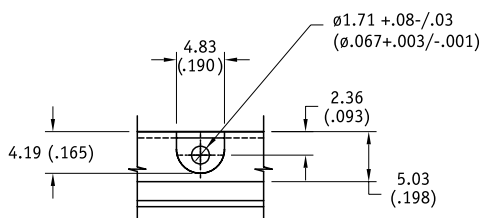
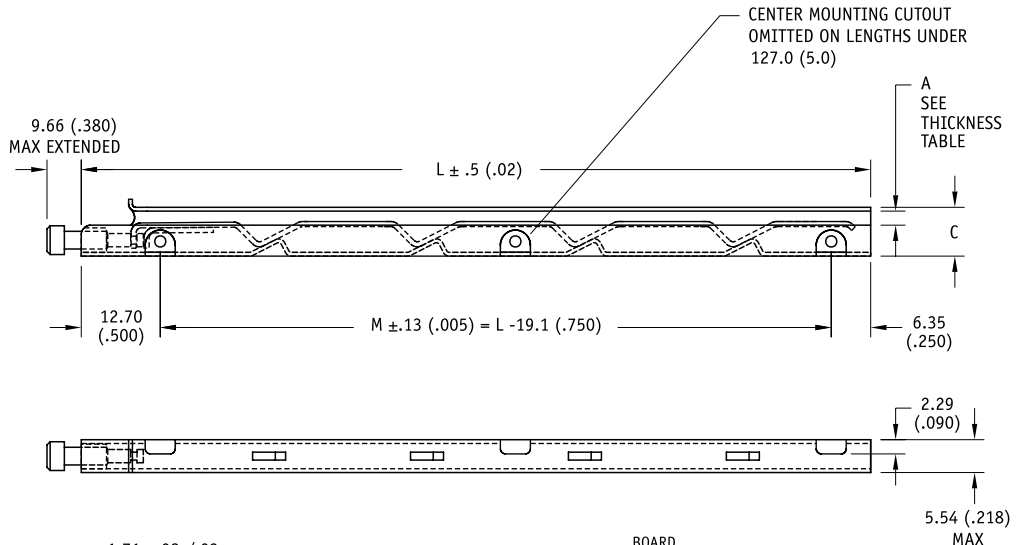
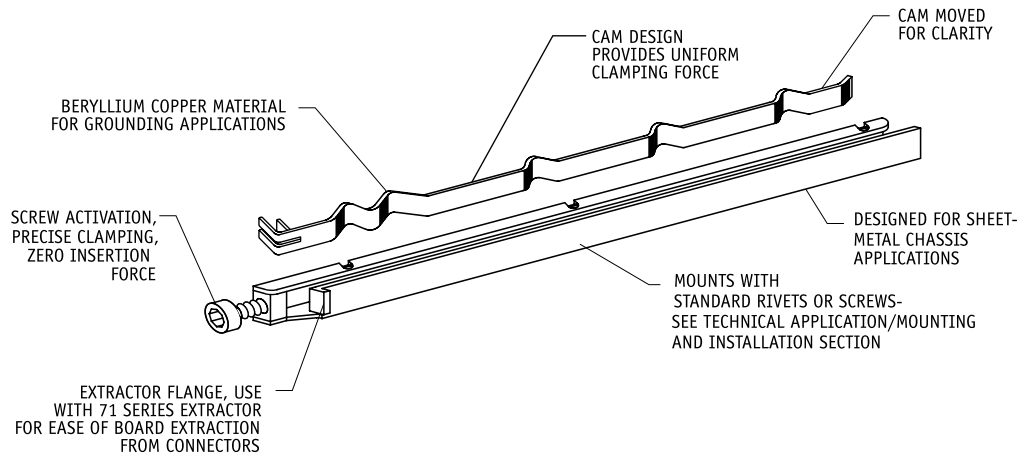
#### SCREW

##### Material:

Stainless steel

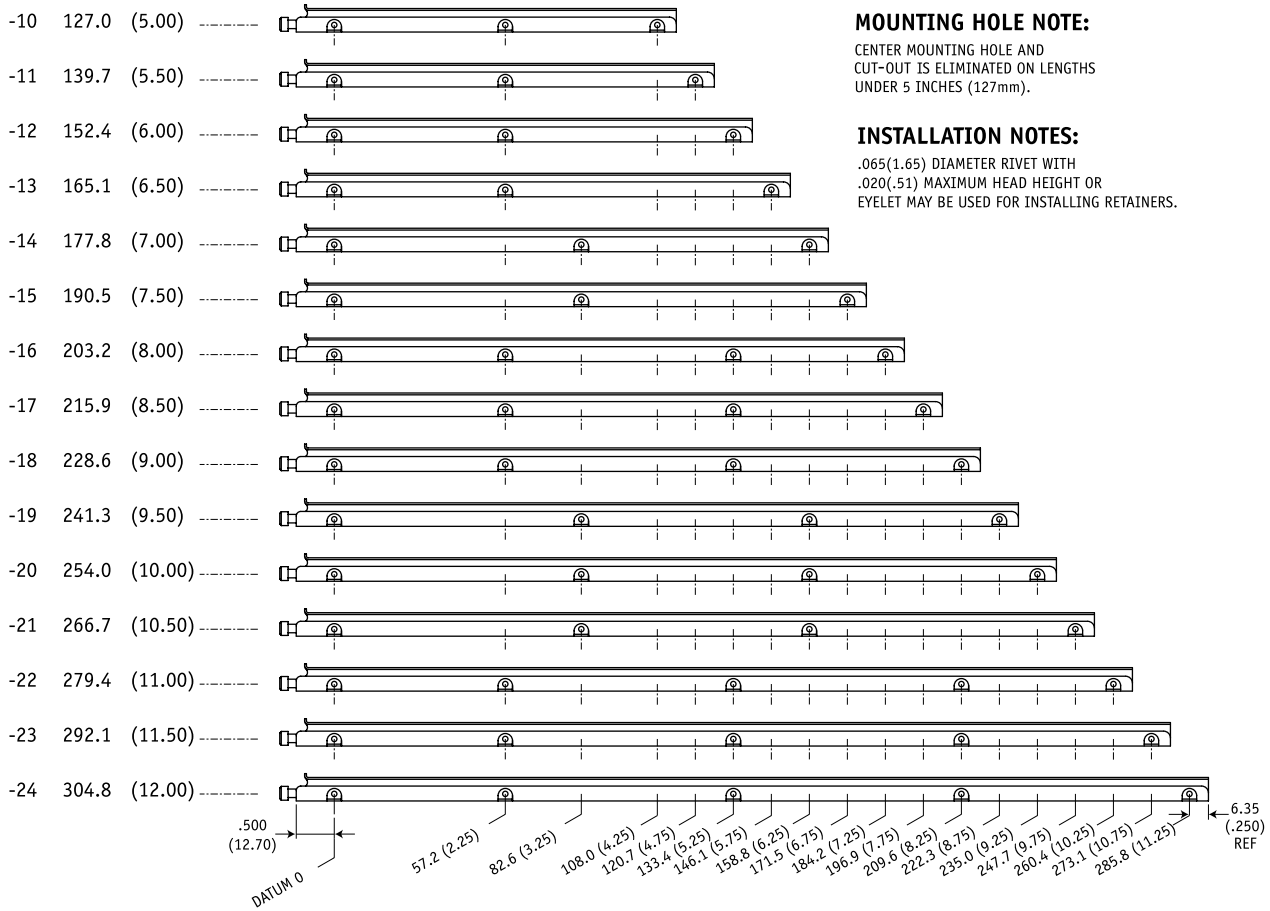
##### Finish:

Passivated



Units: mm(in)  
unless specified otherwise,  
.xx = ± .25, .x = ± .5  
(.xxx = ±.010, .xx = ± .02)

## MOUNTING HOLE DIMENSIONS



### MOUNTING HOLE NOTE:

CENTER MOUNTING HOLE AND CUT-OUT IS ELIMINATED ON LENGTHS UNDER 5 INCHES (127mm).

### INSTALLATION NOTES:

.065(1.65) DIAMETER RIVET WITH .020(.51) MAXIMUM HEAD HEIGHT OR EYELET MAY BE USED FOR INSTALLING RETAINERS.

Note: -6 [76.2 (3.00)] to -9 [114.3 (4.50)], mounting hole dims as per 12.70 (.500) datum and 6.35 (.250) Ref as noted above.

### Part Number Code

Series 127 LOK-TAINER Screw-Actuated **127 - B - 2 - 10 - 5 - L**

#### Material

Beryllium Copper **B**  
or select from Materials Table

#### Board Thickness

1.60 (.063) PCB Thickness **2**  
or select from Board Thickness Table

#### Length

Length in 12.7 (.50) increments **6** [76.2 (3.00)]  
to 24 [304.8 (12.00)]

#### Finish

Gold Plate **5**  
or select from Finish Table

#### Screw Action

Left hand **L**  
Right hand **R**

### Part Number Code example: 127B-4-12-6-R

Series 127 Screw-actuated LOK-TAINER, Beryllium Copper housing with flange, 152.4-mm (6.00-in.) long, Nickel plate finish, and right hand screw action.

## MATERIALS TABLE

### CODE

#### LETTER

**B** BERYLLIUM COPPER, 1/4H PER ASTM-B-194  
**S** STEEL PER ASTM-A-366

## BOARD THICKNESS TABLE

DASH #	BOARD THICKNESS		
	A MIN	A MAX	C
-2	.025 (0.64)	.070 (1.78)	.309 (7.85)
-4	.087 (2.21)	.132 (3.36)	.376 (9.55)

## FINISH TABLE

### DASH #

[blank] SILVER PLATE PER QQ-S-365, TYPE III, GRADE A  
-1 NONE  
-2 EBANOL PER MIL-F-495 FOR BERYLLIUM COPPER PER MIL-C-13924 FOR STEEL  
-3 CADMIUM PER QQ-P-416, TYPE 2, CLASS 2  
-4 COPPER PLATE PER MIL-C-14550, CLASS 2  
-5 GOLD PLATE PER MIL-G-45204, TYPE 1, GLASS 1  
-6 NICKEL PLATE PER QQ-N-290, CLASS 1, GRADE G, BRIGHT  
-7 ZINC PLATE CLEAR CHROMATE, PER ASTM-B-633, Fe/Zn 8  
-8 ZINC PLATE YELLOW CHROMATE, PER ASTM-B-633, Fe/Zn 8  
NOTE: NO FINISH (-1) NOT AVAILBLE WITH "S" STEEL MATERIAL