



DATA SHEET

# SKY65016-70LF: 0.1 to 3.0 GHz InGaP Cascadable Amplifier

## Applications

- Wireless infrastructure: WLAN, HLAN, DBS, broadband, cellular base stations
- Test instrumentation
- Cable television

## Features

- Broadband frequency range: 0.1 to 3.0 GHz
- Small signal gain = 20 dB typical @ 2 GHz
- High OIP3: +27 dBm typical
- OP1dB = +14 dBm typical @ 2 GHz
- Input and output impedance: 50 Ω nominal
- Single, positive DC supply voltage
- SOT-89 (4-pin, 1.5 x 4.0 mm) package (MSL1, 260 °C per JEDEC J-STD-020)



Skyworks Green™ products are compliant with all applicable legislation and are halogen-free. For additional information, refer to *Skyworks Definition of Green™*, document number SQ04-0074.

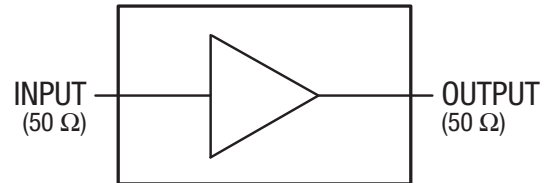


Figure 1. SKY65016-70LF Functional Block Diagram

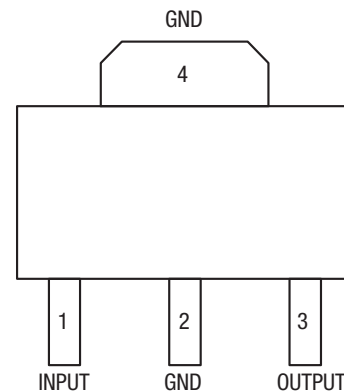
## Description

Skyworks SKY65016-70LF is a general purpose, broadband amplifier. The device is fabricated from Skyworks InGaP HBT process and packaged in a miniature Small Outline Transistor (SOT-89) package.

The device's 50 Ω input and output impedance allow it to be easily cascaded without external impedance matching networks. The typical -3 dB bandwidth of the SKY65016-70LF is 0.1 to 3.0 GHz.

The amplifier is also available in a plastic micro-X package (SKY65016-214LF) and an SC-88 package (SKY65016-92LF).

A functional block diagram is provided in Figure 1. The device package and pinout are shown in Figure 2.



S2664

Figure 2. SKY65016-70LF Pinout – 4-Pin SOT-89 Package (Top View)

**Electrical and Mechanical Specifications**

Signal pin assignments and functional pin descriptions are described in Table 1. The absolute maximum ratings of the SKY65016-70LF are provided in Table 2. Electrical specifications are provided in Table 3.

Typical performance characteristics of the SKY65016-70LF are illustrated in Figures 3 through 6.

**Table 1. SKY65016-70LF Signal Descriptions**

Pin	Name	Description
1	INPUT	RF input with 50 Ω nominal input impedance. An internally generated DC voltage is present at this pin, so an external DC block should be used to connect this pin to the external circuit.
2	GND	Ground
3	OUTPUT	RF output. DC supply voltage input and RF output with 50 Ω nominal output impedance. The nominal voltage required at this pin is listed in Table 3. Supply current is determined by an external resistor connected between the DC power supply and this pin.
4	GND	Ground

**Table 2. SKY65016-70LF Absolute Maximum Ratings (Note 1)**

Parameter	Symbol	Min	Max	Units
Supply voltage	VDD		5	V
RF input power	PIN		+15	dBm
Supply current	IDD		120	mA
Power dissipation @ Tc = 25 °C	PD		500	mW
Operating case temperature	Tc	-40	+85	°C
Storage temperature	TST	-65	+125	°C
Junction temperature	TJ		+150	°C
Thermal resistance	ΘJC		70	°C/W

**Note 1:** Exposure to maximum rating conditions for extended periods may reduce device reliability. There is no damage to device with only one parameter set at the limit and all other parameters set at or below their nominal values. Exceeding any of the limits listed here may result in permanent damage to the device.

**CAUTION:** Although this device is designed to be as robust as possible, Electrostatic Discharge (ESD) can damage this device. This device must be protected at all times from ESD. Static charges may easily produce potentials of several kilovolts on the human body or equipment, which can discharge without detection. Industry-standard ESD precautions should be used at all times.

**Table 3. SKY65016-70LF Electrical Specifications (Note 1)**

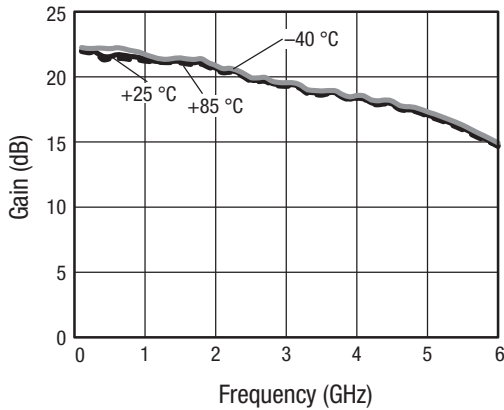
( $I_{DD} = 40 \text{ mA}$ ,  $T_c = 25 \text{ }^\circ\text{C}$ ,  $P_{IN} = 0 \text{ dBm}$ , Characteristic Impedance [ $Z_0$ ] =  $50 \text{ } \Omega$ , Unless Otherwise Noted)

Parameter	Symbol	Test Conditions	Min	Typical	Max	Units
Small signal gain	IS21	@ 2 GHz	19	20	21	dB
3 dB gain bandwidth	BW <sub>3dB</sub>		2.5	3.0		GHz
Noise Figure	NF	@ 2 GHz		4.8		dB
1 dB Output Compression Point	OP1dB	@ 2 GHz	+13	+14		dBm
Input and output VSWR	VSWR	0.1 to 5.0 GHz		1.9:1	2.0:1	–
3rd Order Output Intercept Point	OIP3	@ 2 GHz, $P_{IN} = 0 \text{ dBm/tone}$ , $\Delta f = 10 \text{ MHz}$		+27		dBm
Operating voltage	$V_{DD}$	Measured @ pin 3	3.2	3.5	3.7	V
Reverse isolation	IS12	0.1 to 6.0 GHz		20		dB
Gain flatness		10 MHz to 3 GHz		$\pm 1.5$		dB

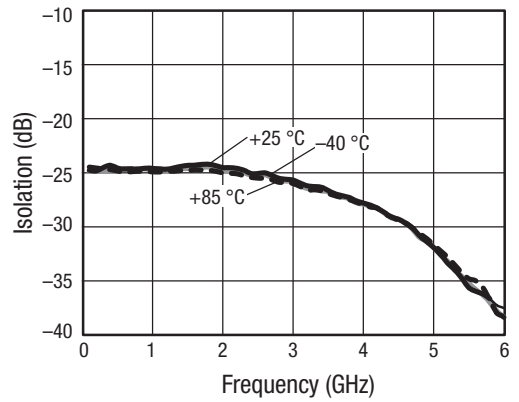
**Note 1:** Performance is guaranteed only under the conditions listed in this Table.

### Typical Performance Characteristics

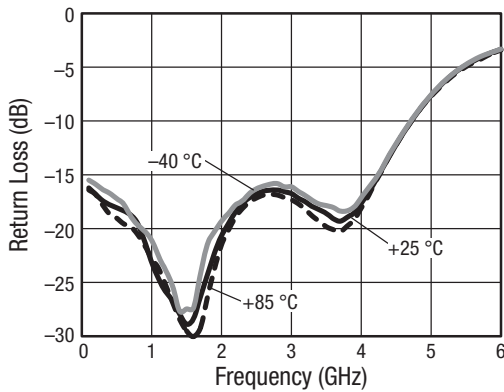
( $I_{DD} = 40 \text{ mA}$ , Characteristic Impedance [ $Z_0$ ] =  $50 \text{ } \Omega$ , Unless Otherwise Noted)



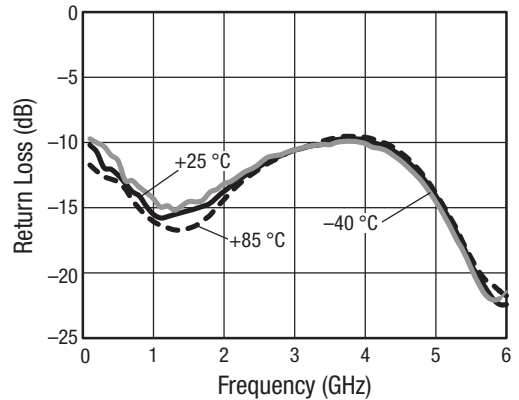
**Figure 3. Small Signal Gain vs Frequency**



**Figure 4. Isolation vs Frequency**



**Figure 5. Input Return Loss vs Frequency**



**Figure 6. Output Return Loss vs Frequency**

## Evaluation Board Description

The Skyworks SKY65016-70LF Evaluation Board is used to test the performance of the SKY65016-70LF cascadable amplifier. The Evaluation Board is shown in Figure 7. An Evaluation Board schematic is shown in Figure 8. Table 4 provides the Bill of Materials (BOM) for Evaluation Board components.

The input and output of the SKY65016-70LF are connected using 50  $\Omega$  microstrip transmission lines with DC blocking capacitors, C1 and C2, to the input and output SMA connectors, respectively.

The positive supply voltage,  $V_{DD}$ , is connected to pin 3 (OUTPUT) of the amplifier using the decoupling network that consists of C4, L1, L2, and R1. The power supply current,  $I_{DD}$ , must be limited either by the current limit function of an external bench power supply or by replacing L3 with resistor R1, the value of which is given in shown in Table 5. The Evaluation Board is shipped with L3 in place, which shifts an in-band series resonance of the supply decoupling network out of band. For low frequency applications, R1 may be used to conveniently limit supply current on the Evaluation Board.

The Evaluation Board also contains a probe fixture that facilitates the direct measurement of the S-parameters. The probe fixture comprises a very short Co-Planar Waveguide (CPW) transmission line to pin 1 and an identical line to pin 3. The other two pins of the amplifier are grounded. The CPW transmission lines are compatible with ground-signal-ground wafer probe tips, which can be connected to the RF ports of a Vector Network Analyzer (VNA) using coaxial cables. The very small electrical length of these CPW transmission lines obviates the need to de-embed their effects from the S-parameters that are measured. The

supply constant current must be applied using the bias tee, which is typically integrated into the VNA, and cascaded with the OUTPUT pin of the amplifier.

## Package Dimensions

Typical case markings for the SKY65016-70LF are shown in Figure 9. The PCB layout footprint for the SKY65016-70LF is provided in Figure 10. Package dimensions for the 4-pin SOT-89 are provided in Figure 11, and tape and reel dimensions are shown in Figure 12.

## Package and Handling Information

Instructions on the shipping container label regarding exposure to moisture after the container seal is broken must be followed. Otherwise, problems related to moisture absorption may occur when the part is subjected to high temperature during solder assembly.

The SKY65016-70LF is rated to Moisture Sensitivity Level 1 (MSL1) at 260 °C. It can be used for lead or lead-free soldering. For additional information, refer to the Skyworks Application Note, *Solder Reflow Information*, document number 200164.

Care must be taken when attaching this product, whether it is done manually or in a production solder reflow environment. Production quantities of this product are shipped in a standard tape and reel format.

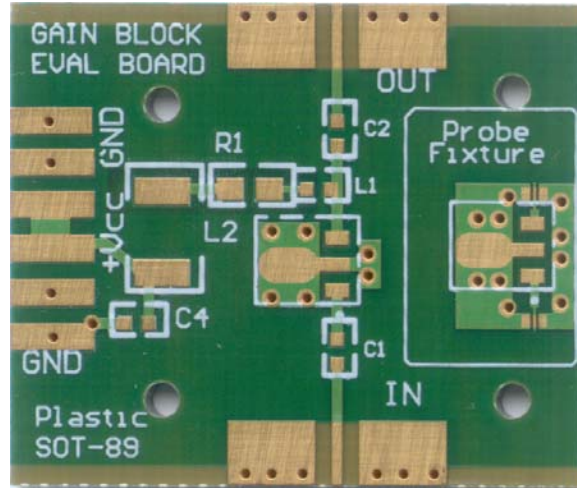
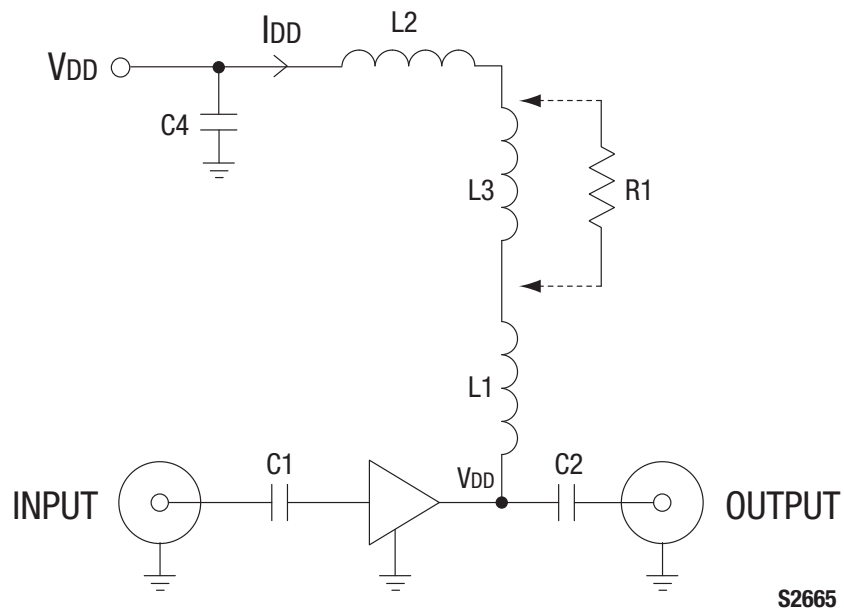


Figure 7. SKY65016-70LF Evaluation Board



S2665

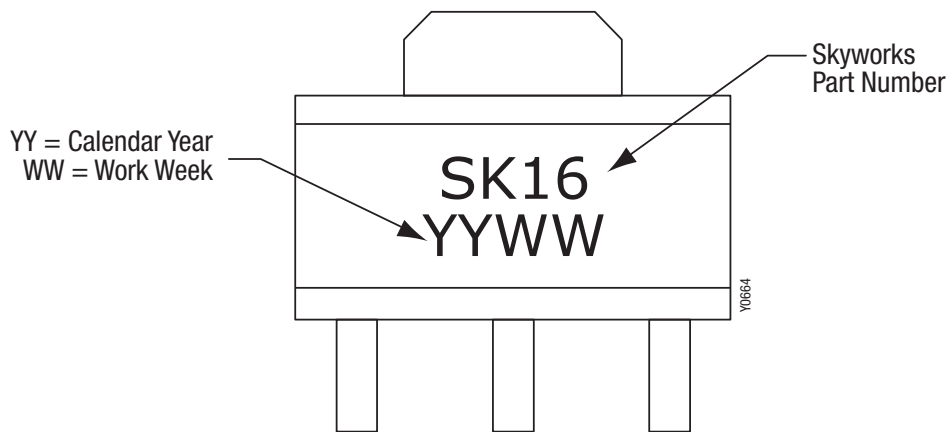
Figure 8. SKY65016-70LF Evaluation Board Schematic

**Table 4. SKY65016-70LF Evaluation Board Bill of Materials (BOM)**

Component	Value	Size	Part Number	Manufacturer
C1, C2, C4	47 nF	0603	GRM188R71E473K	Murata
L1	33 nH	0603	0603CS-33NX_LU	Coilcraft
L2	1600 Ω	1810	FBMH4525HM162N-T	Taiyo-Yuden
L3	110 nH	0805	0805CS-111X_L	Coilcraft
R1	See Table 5	0603	Variable	Variable

**Table 5. Current Limiting Resistor Values**

Supply Voltage (V)	Value of R1 (Ω)	Minimum Power Dissipation Rating (mW)
4.0	13	125
4.6	28	125
5.0	38	125
6.0	63	125
8.0	113	250
9.0	138	500
10.0	163	500
12.0	213	500



**Figure 9. SKY65016-70LF Typical Case Markings**

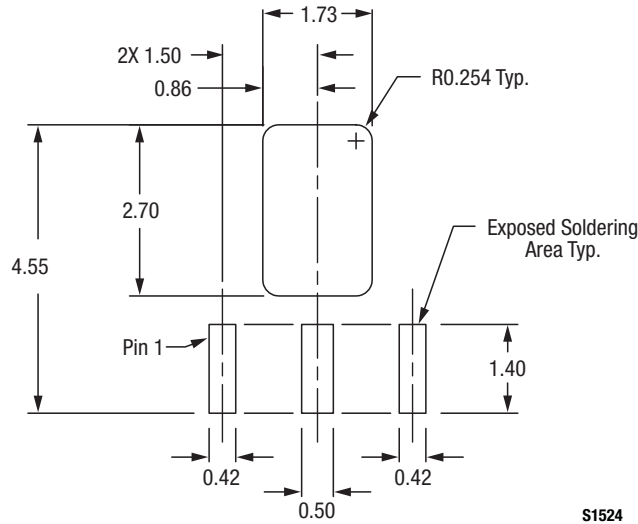
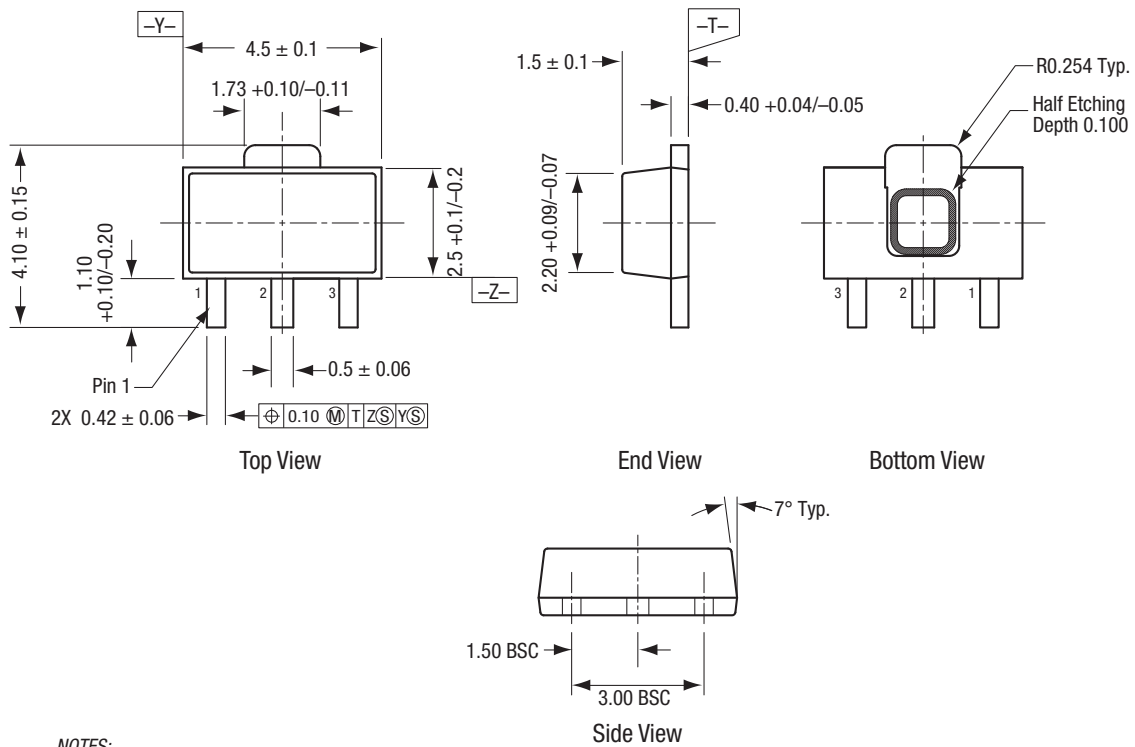


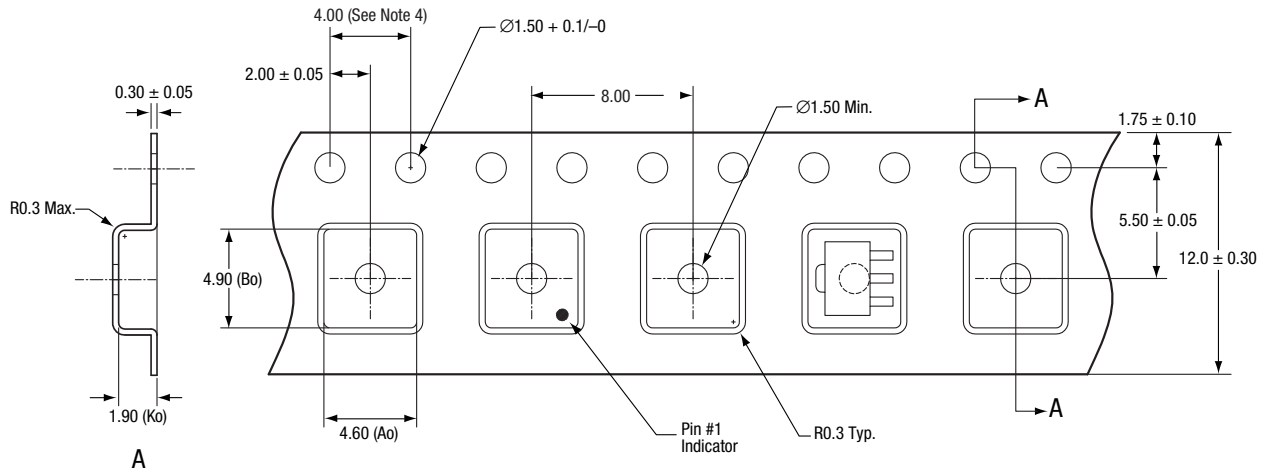
Figure 10. SKY65016-70LF PCB Layout Footprint



- NOTES:
1. All measurements are in millimeters.
  2. Dimensioning and tolerancing according to ASME Y14.5M-1994.
  3. Package dimension does not include mold protrusions or gate burrs. Mold protrusions and gate burrs do not exceed 0.005" per end. Body width dimension does not include interlead mold protrusions. Interlead protrusions do not exceed 0.005" per side.
  4. Leadwidth dimension does not include dambar protrusions. Allowable protrusion does not exceed 0.002" total in excess of lead width dimension at maximum material condition.

Figure 11. SKY65016-70LF 4-Pin SOT-89 Package Dimensions

**DATA SHEET • SKY65016-70LF CASCADABLE AMPLIFIER**



- Notes:
1. Carrier tape material: black conductive polycarbonate or polystyrene.
  2. Cover tape material: transparent conductive PSA.
  3. Cover tape size: 9.2 mm width.
  4. 10 sprocket hole pitch cumulative tolerance:  $\pm 0.2$  mm
  5. Ao and Bo measurement point to be 0.30 mm from bottom pocket.
  6. All measurements are in millimeters.

S2813

**Figure 12. SKY65016-70LF Tape and Reel Dimensions**



## Ordering Information

Model Name	Ordering Part Number	Evaluation Board Part Number
SKY65016-70LF Low Noise Amplifier	SKY65016-70LF	SK40753

Copyright © 2002-2006, 2012-2014 Skyworks Solutions, Inc. All Rights Reserved.

Information in this document is provided in connection with Skyworks Solutions, Inc. (“Skyworks”) products or services. These materials, including the information contained herein, are provided by Skyworks as a service to its customers and may be used for informational purposes only by the customer. Skyworks assumes no responsibility for errors or omissions in these materials or the information contained herein. Skyworks may change its documentation, products, services, specifications or product descriptions at any time, without notice. Skyworks makes no commitment to update the materials or information and shall have no responsibility whatsoever for conflicts, incompatibilities, or other difficulties arising from any future changes.

No license, whether express, implied, by estoppel or otherwise, is granted to any intellectual property rights by this document. Skyworks assumes no liability for any materials, products or information provided hereunder, including the sale, distribution, reproduction or use of Skyworks products, information or materials, except as may be provided in Skyworks Terms and Conditions of Sale.

THE MATERIALS, PRODUCTS AND INFORMATION ARE PROVIDED “AS IS” WITHOUT WARRANTY OF ANY KIND, WHETHER EXPRESS, IMPLIED, STATUTORY, OR OTHERWISE, INCLUDING FITNESS FOR A PARTICULAR PURPOSE OR USE, MERCHANTABILITY, PERFORMANCE, QUALITY OR NON-INFRINGEMENT OF ANY INTELLECTUAL PROPERTY RIGHT; ALL SUCH WARRANTIES ARE HEREBY EXPRESSLY DISCLAIMED. SKYWORKS DOES NOT WARRANT THE ACCURACY OR COMPLETENESS OF THE INFORMATION, TEXT, GRAPHICS OR OTHER ITEMS CONTAINED WITHIN THESE MATERIALS. SKYWORKS SHALL NOT BE LIABLE FOR ANY DAMAGES, INCLUDING BUT NOT LIMITED TO ANY SPECIAL, INDIRECT, INCIDENTAL, STATUTORY, OR CONSEQUENTIAL DAMAGES, INCLUDING WITHOUT LIMITATION, LOST REVENUES OR LOST PROFITS THAT MAY RESULT FROM THE USE OF THE MATERIALS OR INFORMATION, WHETHER OR NOT THE RECIPIENT OF MATERIALS HAS BEEN ADVISED OF THE POSSIBILITY OF SUCH DAMAGE.

Skyworks products are not intended for use in medical, lifesaving or life-sustaining applications, or other equipment in which the failure of the Skyworks products could lead to personal injury, death, physical or environmental damage. Skyworks customers using or selling Skyworks products for use in such applications do so at their own risk and agree to fully indemnify Skyworks for any damages resulting from such improper use or sale.

Customers are responsible for their products and applications using Skyworks products, which may deviate from published specifications as a result of design defects, errors, or operation of products outside of published parameters or design specifications. Customers should include design and operating safeguards to minimize these and other risks. Skyworks assumes no liability for applications assistance, customer product design, or damage to any equipment resulting from the use of Skyworks products outside of stated published specifications or parameters.

Skyworks, the Skyworks symbol, and “Breakthrough Simplicity” are trademarks or registered trademarks of Skyworks Solutions, Inc., in the United States and other countries. Third-party brands and names are for identification purposes only, and are the property of their respective owners. Additional information, including relevant terms and conditions, posted at [www.skyworksinc.com](http://www.skyworksinc.com), are incorporated by reference.