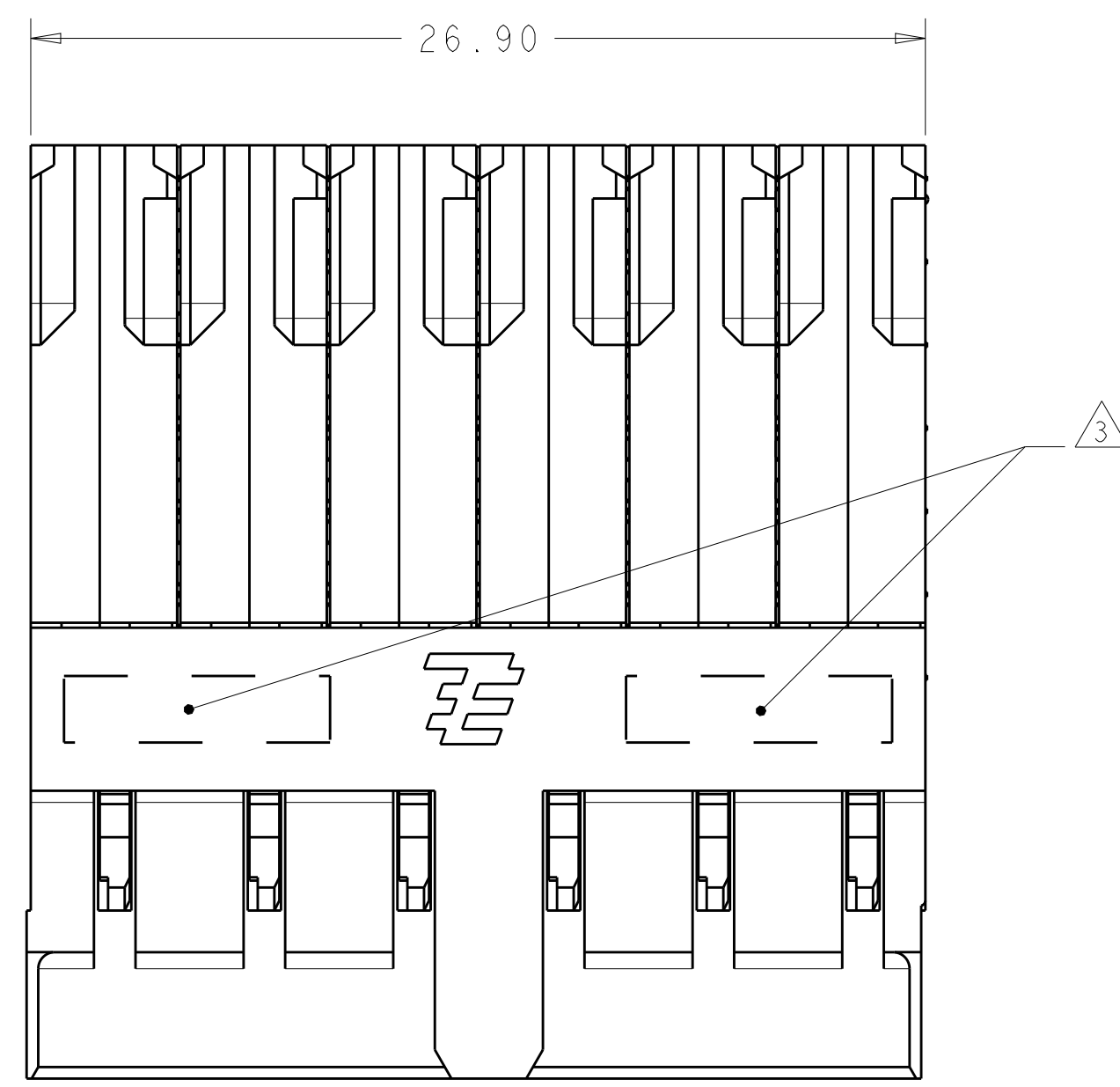
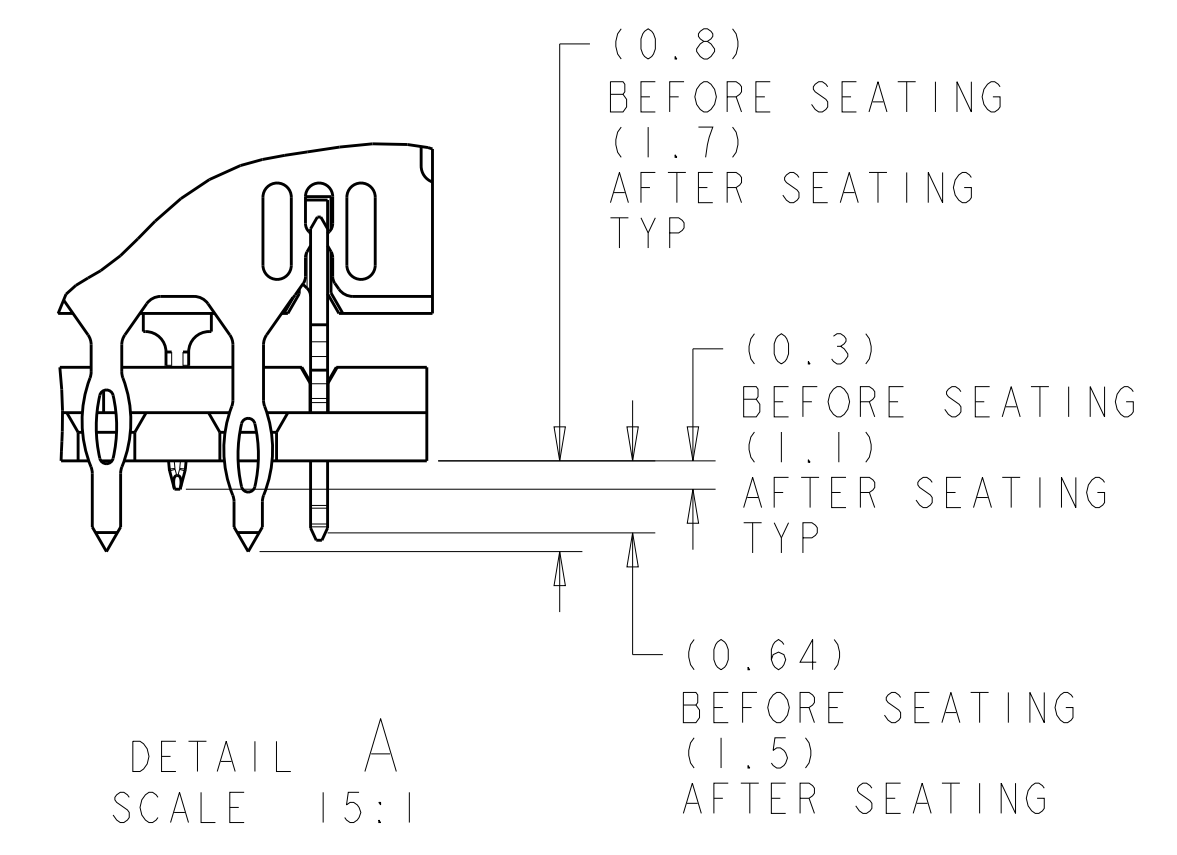
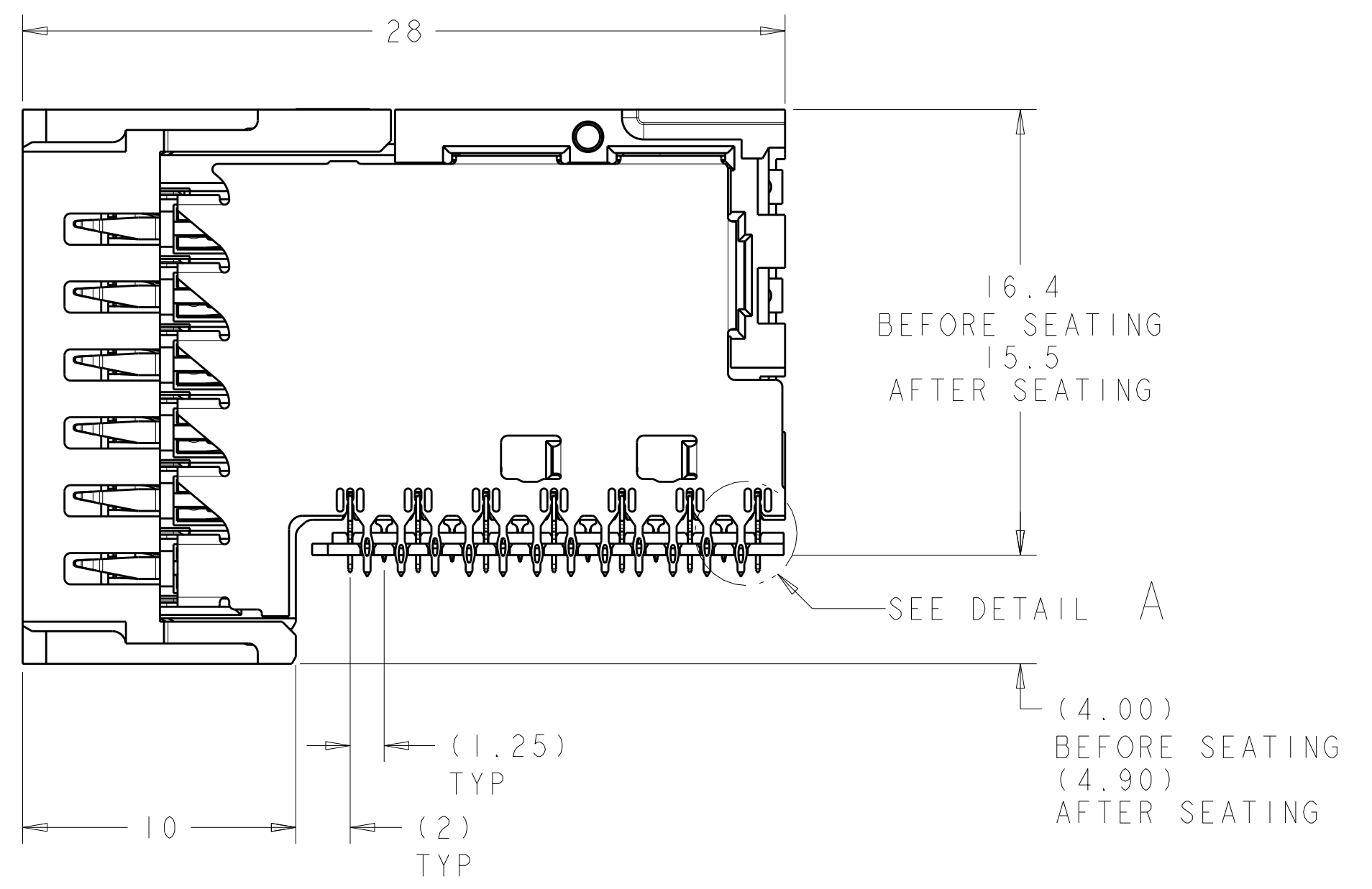
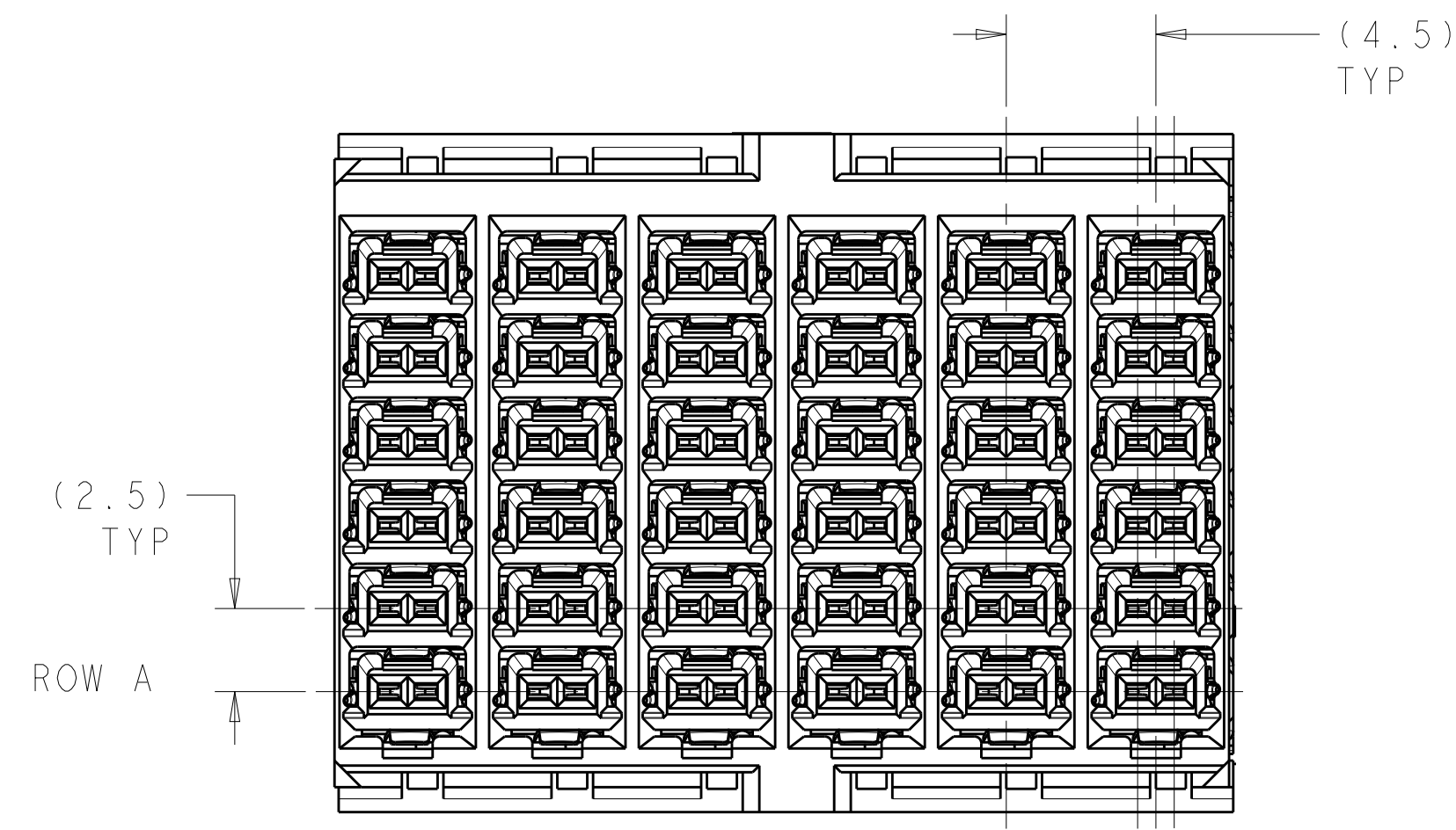


LOC	DIST	REVISIONS			
P	LTN	DESCRIPTION	DATE	DWN	APVD
A		RELEASED	23MAR2014	RT	NS



- △ MATERIAL:
CONTACT AND SHIELD - COPPER ALLOY.
HOUSINGS, AND ORGANIZER - THERMOPLASTIC, UL 94V-0, BLACK.
- △ CONFORMS TO REQUIREMENTS OF TE PRODUCT SPECIFICATION 108-2413, BASED ON TELCORDIA GR-1217-CORE FOR SYSTEM QUALITY LEVEL III; APPLICATIONS IN CONTROLLED ENVIRONMENTS (CENTRAL OFFICE).
- △ CONNECTOR MARKED WITH PART NUMBER, DATE CODE, AND OPTIONAL MANUFACTURING LOCATION IDENTIFICATION CODE IN APPROXIMATE AREA SHOWN.
- 4. CONTACT AREA LUBRICATED WITH BELLCORE APPROVED LUBRICANT. TECHNICAL REFERENCE: GR-1217-CORE, ISSUE 2, DECEMBER 2008.
- △ PLATED THRU HOLE REQUIREMENTS:
FINISHED HOLE = $\varnothing 0.344 \pm 0.039$
DRILLED HOLE = $\varnothing 0.420 \pm 0.013$
COPPER THICKNESS = 0.038 ± 0.013
IMMERSION TIN IF APPLICABLE = 0.00051 ± 0.00013
- △ PLATED THRU HOLE REQUIREMENTS:
FINISHED HOLE = $\varnothing 0.244 \pm 0.039$
DRILLED HOLE = $\varnothing 0.320 \pm 0.013$
COPPER THICKNESS = 0.038 ± 0.013
IMMERSION TIN IF APPLICABLE = 0.00051 ± 0.00013
- △ PTH DIMENSIONS APPLY TO 1.00mm DEPTH FROM MOUNT SIDE OF PCB.
- △ HOLE POSITION TOLERANCE APPLIES WITHIN PATTERN FOR CONNECTOR PATTERN TO CONNECTOR PATTERN, A 0.12 \varnothing POSITION TOLERANCE APPLIES.

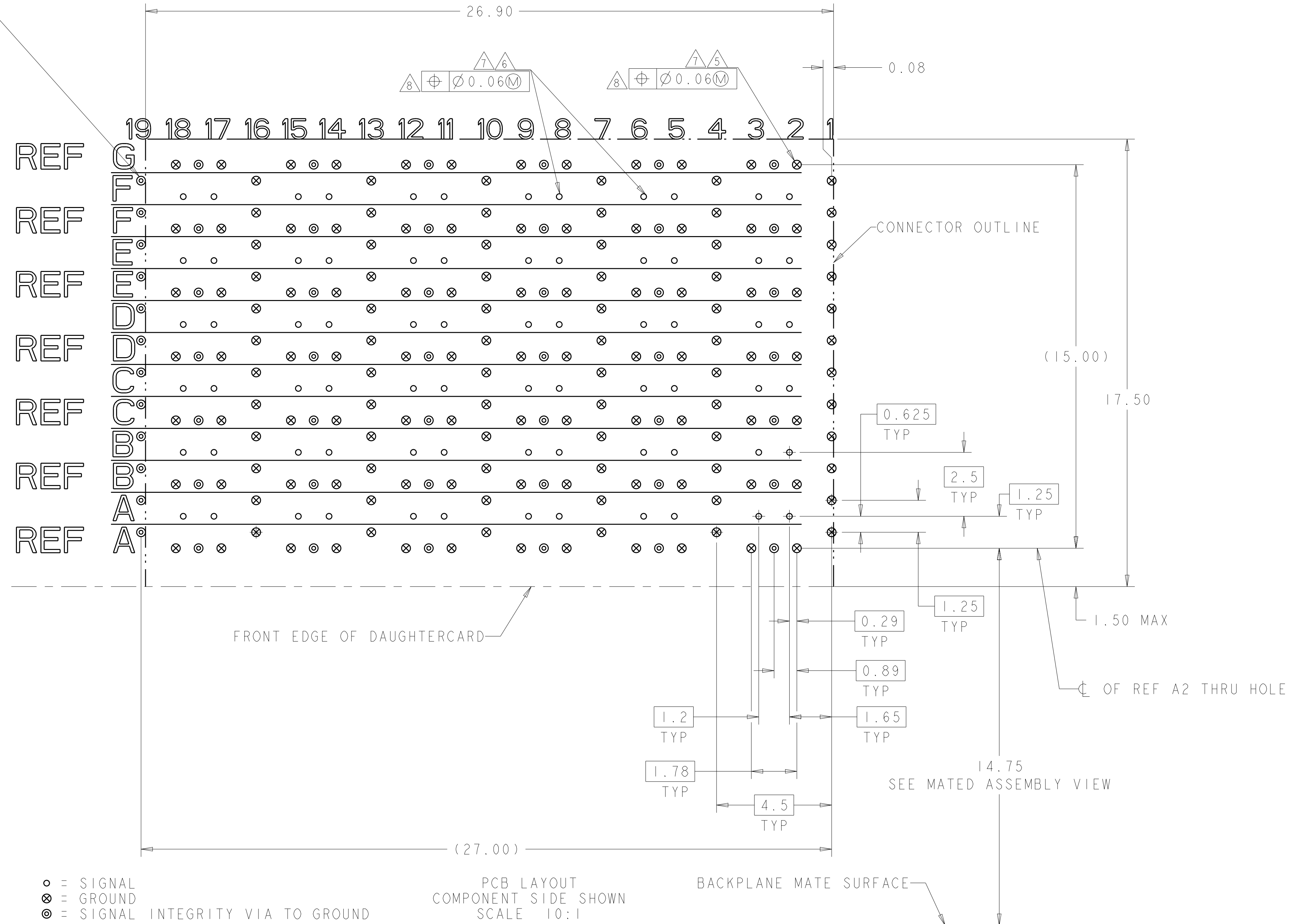


TIN	2198265-2
TIN-LEAD	2198265-1
PRESS FIT TAIL PLATING	PART NO

THIS DRAWING IS A CONTROLLED DOCUMENT.		DWN R. THOMPSON 29NOV2011	TE Connectivity
DIMENSIONS:		CHK N. SWANGER 29NOV2011	
mm	TOLERANCES UNLESS OTHERWISE SPECIFIED:	APVD N. SWANGER 29NOV2011	NAME
0 PLC ± 0.2	1 PLC ± 0.2	PRODUCT SPEC	RECEPTACLE ASSEMBLY,
2 PLC ± 0.08	3 PLC ± 0.013	APPLICATION SPEC	6 PAIR 6 COLUMN, RIGHT ANGLE,
4 PLC \pm	ANGLES \pm	114-13301	4.5mm PITCH, STRADA WHISPER 360
MATERIAL	FINISH	WEIGHT	SIZE
SEE TABLE		Customer Drawing	A100779C=2198265
		SCALE	SHEET
		5:1	1 OF 2
		REV	A

LOC		DIST		REVISIONS			
GP	00	P	LTN	DESCRIPTION	DATE	DMN	APVD
		-	-	SEE SHEET 1	-	-	-

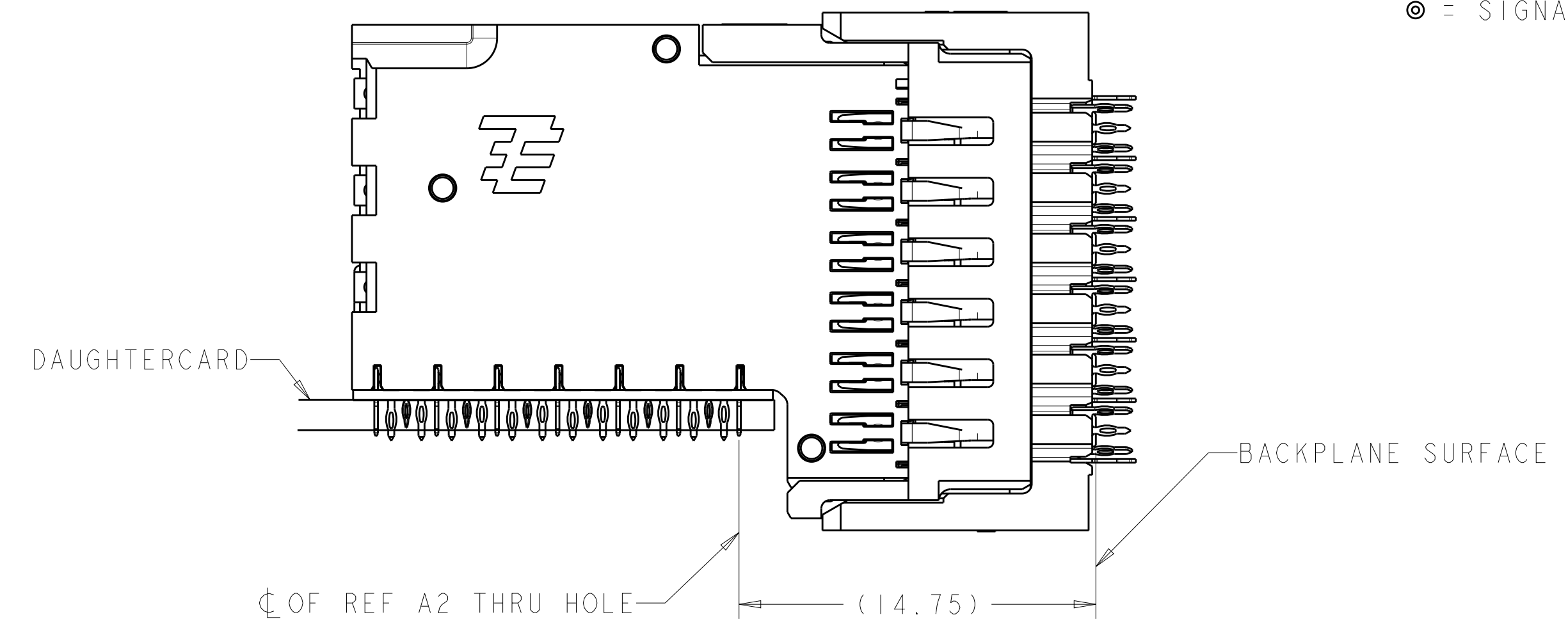
FOOTPRINT SHOWN IS FOR SINGLE MODULE APPLICATION. WHEN CONNECTORS ARE STACKED SIDE BY SIDE, THESE SI VIAS ARE USED AS GROUNDS BY THE NEXT CONNECTOR



○ = SIGNAL
 ⊗ = GROUND
 ⊙ = SIGNAL INTEGRITY VIA TO GROUND

PCB LAYOUT COMPONENT SIDE SHOWN SCALE 10:1

BACKPLANE MATE SURFACE



MATED ASSEMBLY VIEW SCALE 5:1

THIS DRAWING IS A CONTROLLED DOCUMENT.		DMN R. THOMPSON 29NOV2011	TE Connectivity
DIMENSIONS: mm		CHK N. SWANGER 29NOV2011	
TOLERANCES UNLESS OTHERWISE SPECIFIED:		APVD N. SWANGER 29NOV2011	NAME RECEPTACLE ASSEMBLY, 6 PAIR 6 COLUMN, RIGHT ANGLE, 4.5mm PITCH, STRADA WHISPER 360
0 PLC ±	1 PLC ±0.08	PRODUCT SPEC	APPLICATION SPEC
2 PLC ±0.13	3 PLC ±	APPLIC. SPEC	SIZE 114-13301
4 PLC ±	ANGLES ±	FINISH	WEIGHT
MATERIAL	SEE TABLE	Customer Drawing	RESTRICTED TO
		SCALE 5:1	SHEET 2 OF 2
		REV A	