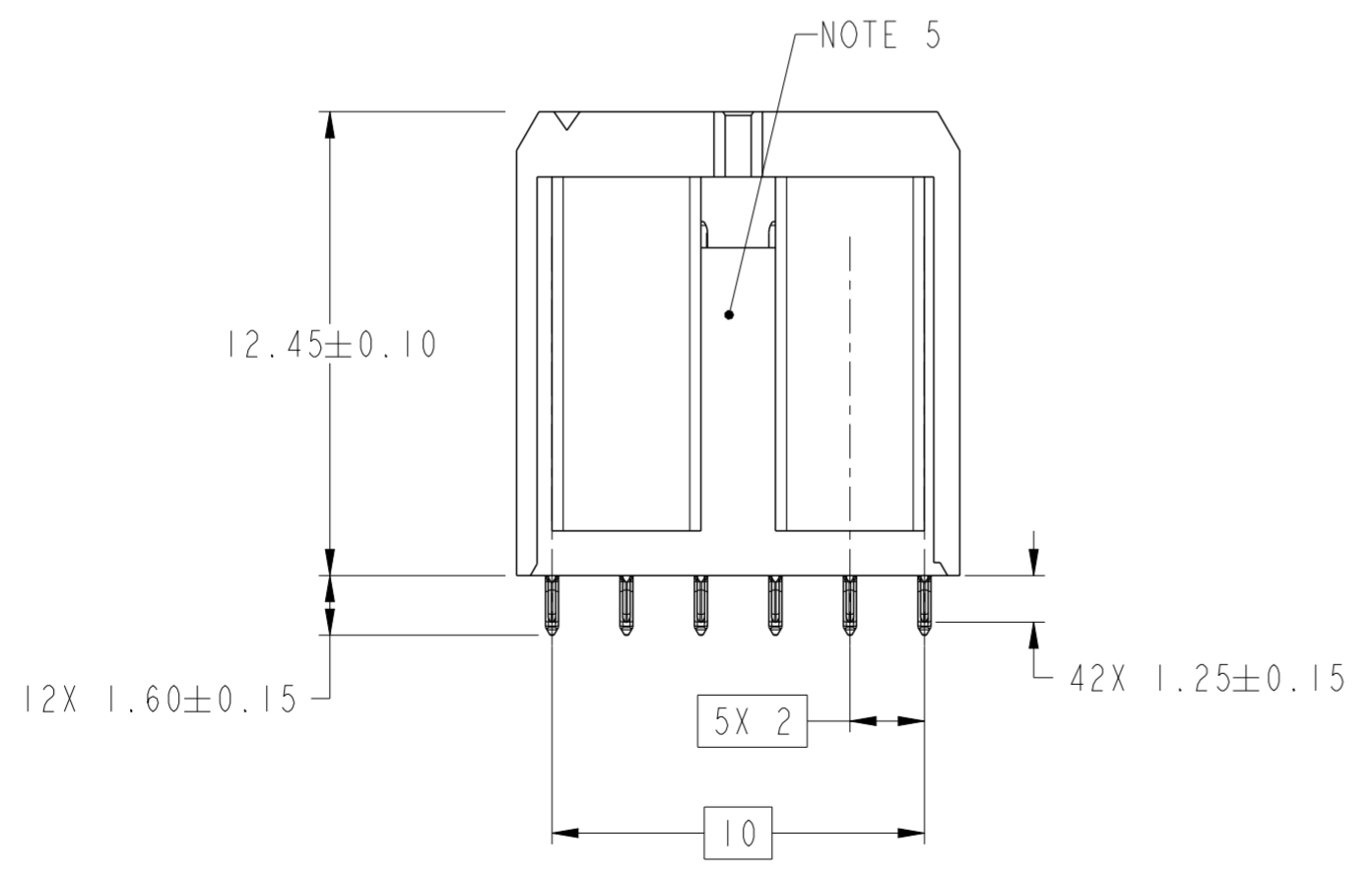
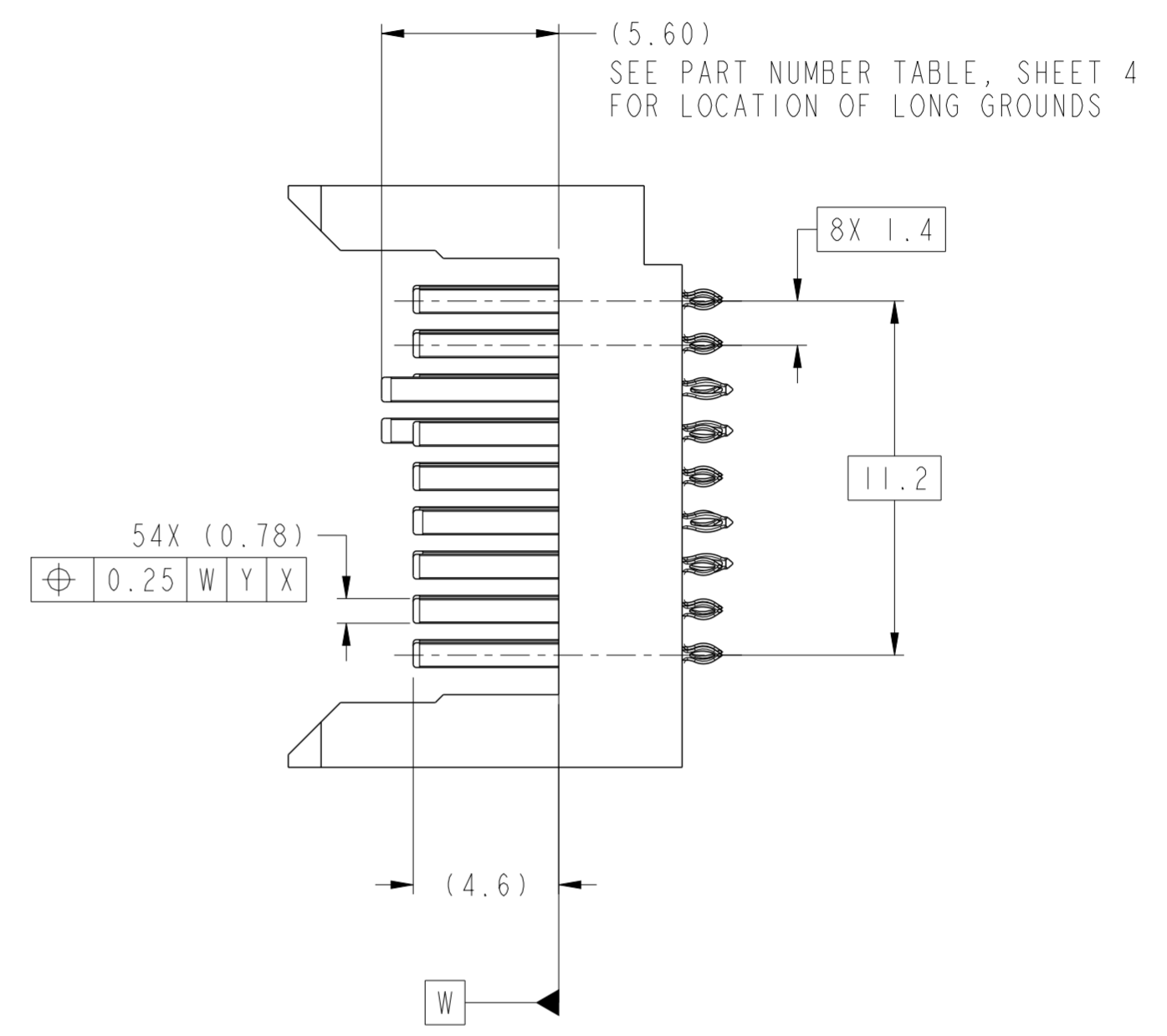
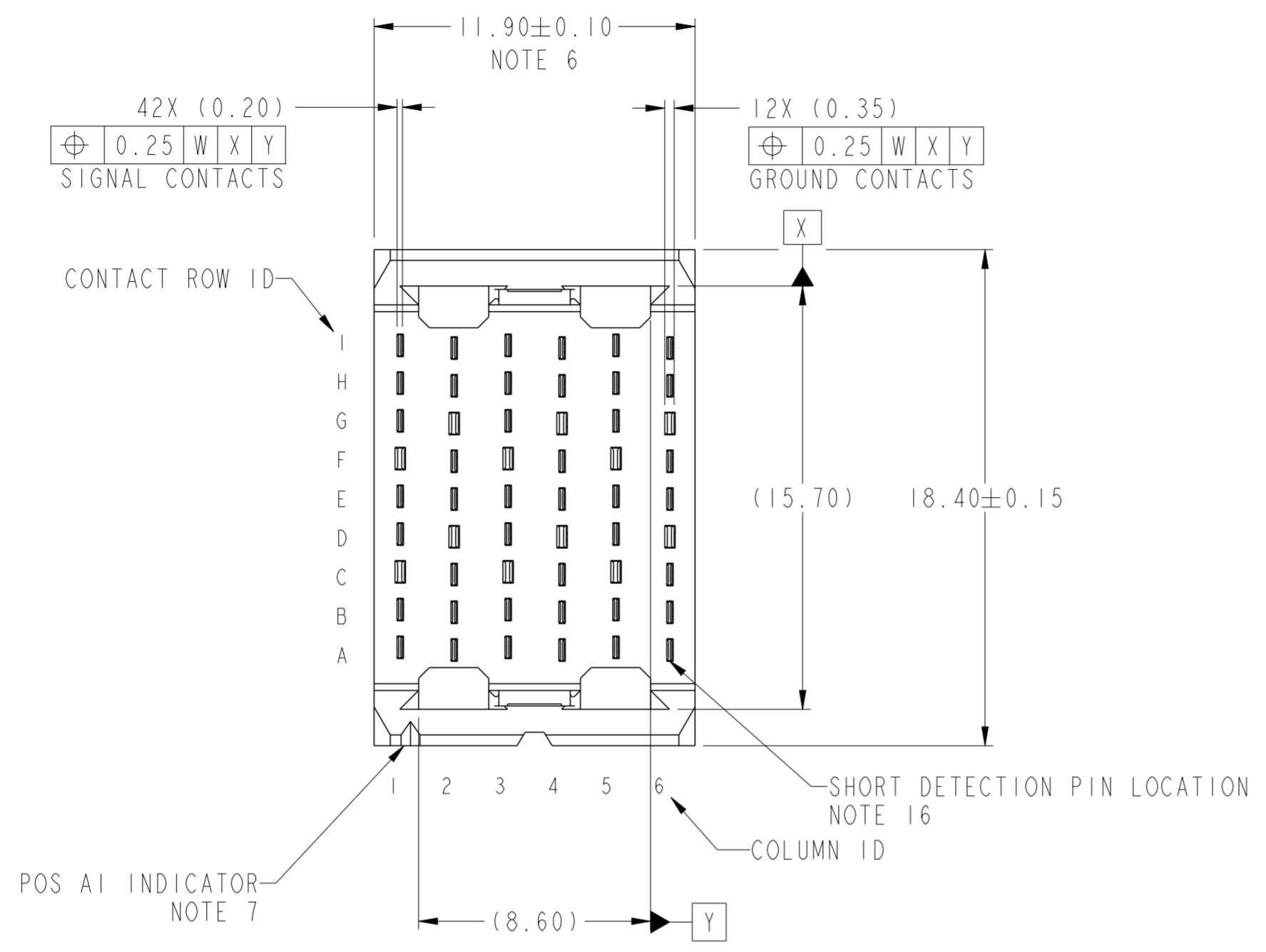


Product number
SEE TABLE, SHT 4



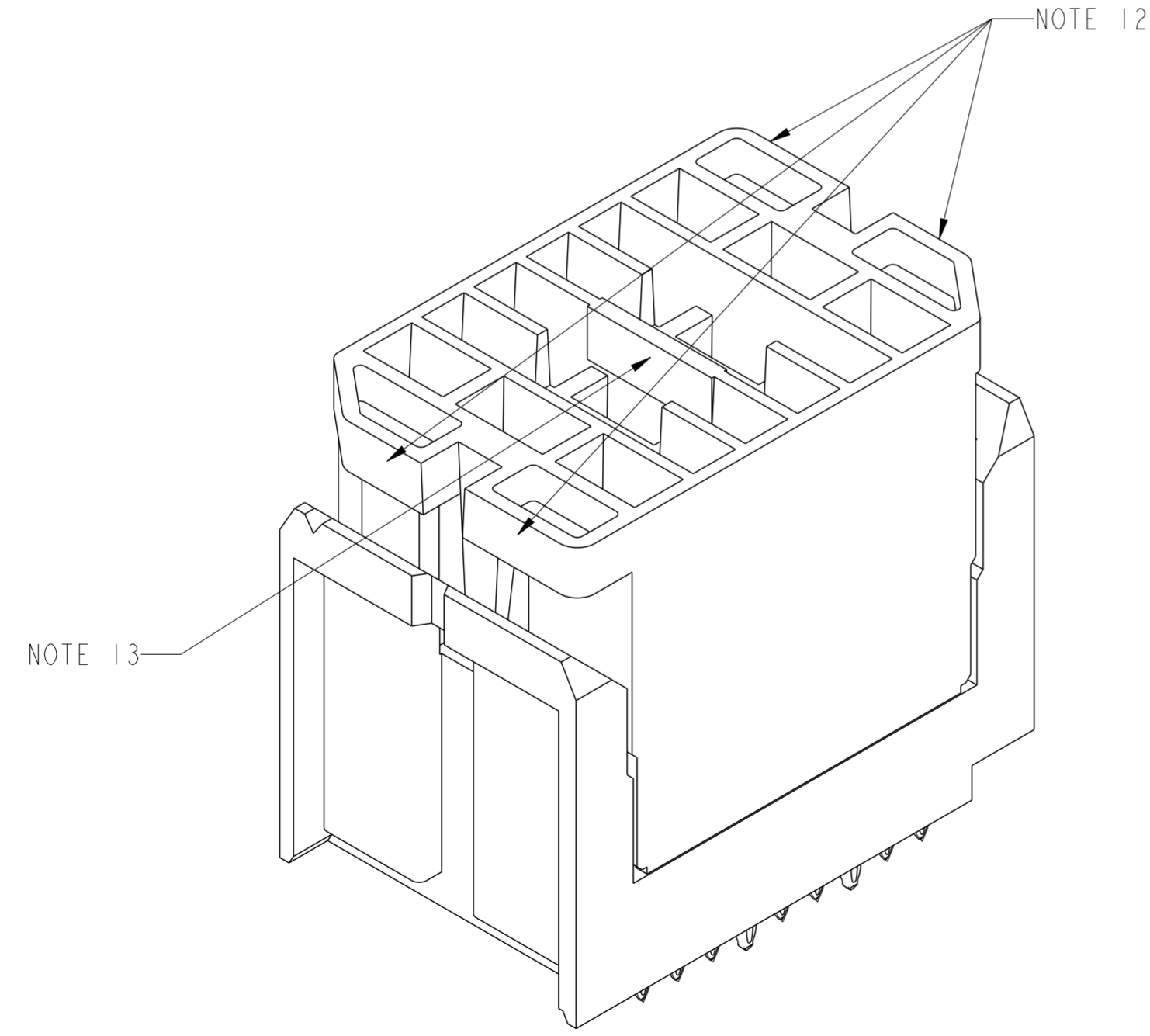
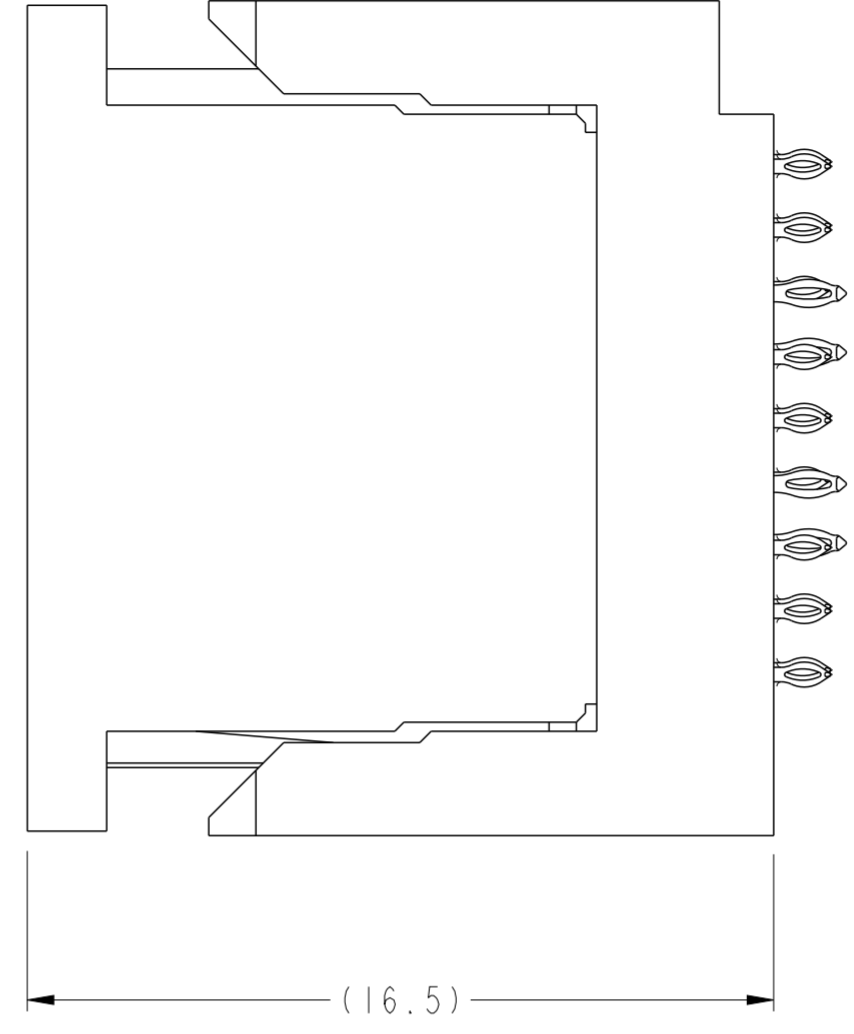
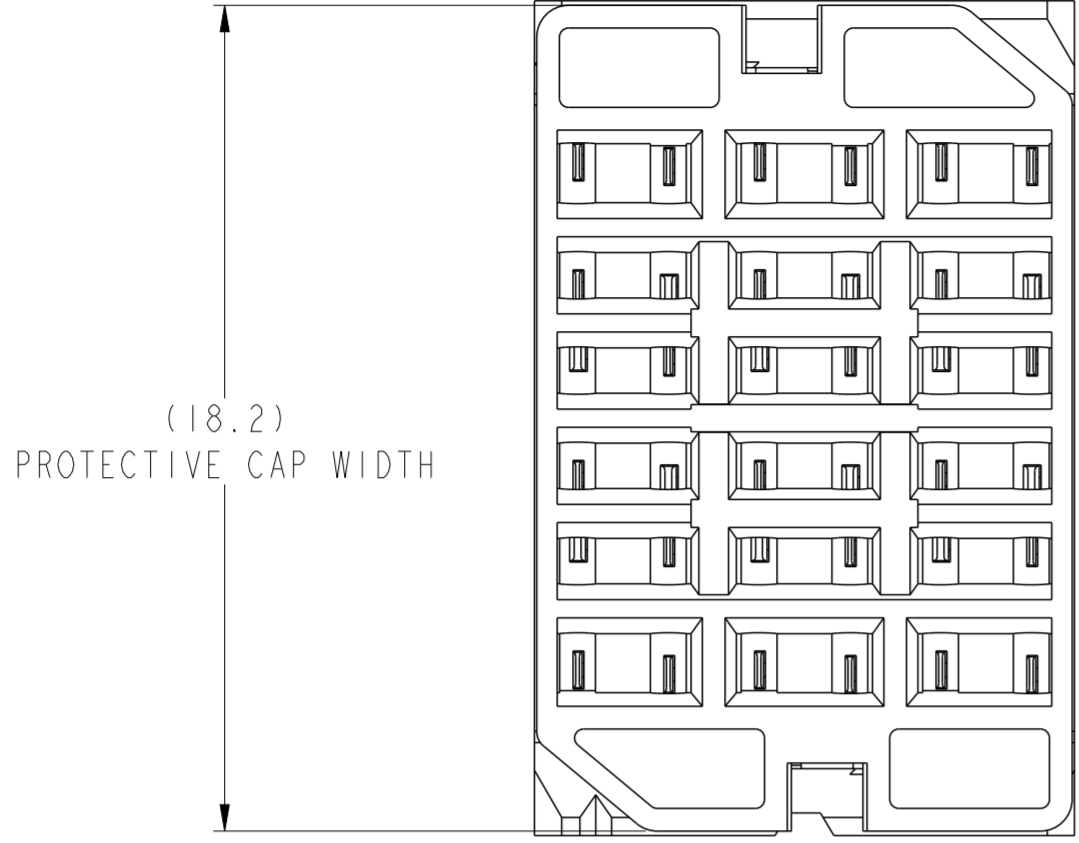
| | | | | | | | | | | | | |
|---------------------------------------|------------|--------|---------------|------------|------------|---|--------------------|----------------|------------------------|-----|--------------|--|
| spec ref | - | dr | Robin Johnson | 2010/1203 | projection | MM | size | A2 | scale | 5:1 | | |
| tolerance std | ASME Y14.5 | eng | Kou Xu | 2014/06/05 | | | ecn no | ELX-DG-17847-1 | | | | |
| TOLERANCES UNLESS OTHERWISE SPECIFIED | | chr | Zhi-Guo Qiao | 2014/06/23 | | | rel level | Released | | | | |
| | | appr | Collins Lu | 2014/06/23 | | | product family | AIRMAX VS | | | | |
| surface | ✓ | linear | 0.X | ±0.3 | | AIRMAX VSe VERTICAL HEADER SMALL PRESS-FIT, 54 POS, 12 mm | div no 10116601 | rev D | Product - Customer Drw | | | |
| ASME Y14.5 | angular | 0° | ±2° | | | | | | www.fci.com | | sheet 1 of 4 | |
| | | | | | | | | | | | | |

Copyright FCI.

PDS: Rev :D

STATUS:Released

Printed: Jun 24, 2014



VIEWS SHOWN WITH PROTECTIVE COVER INSTALLED

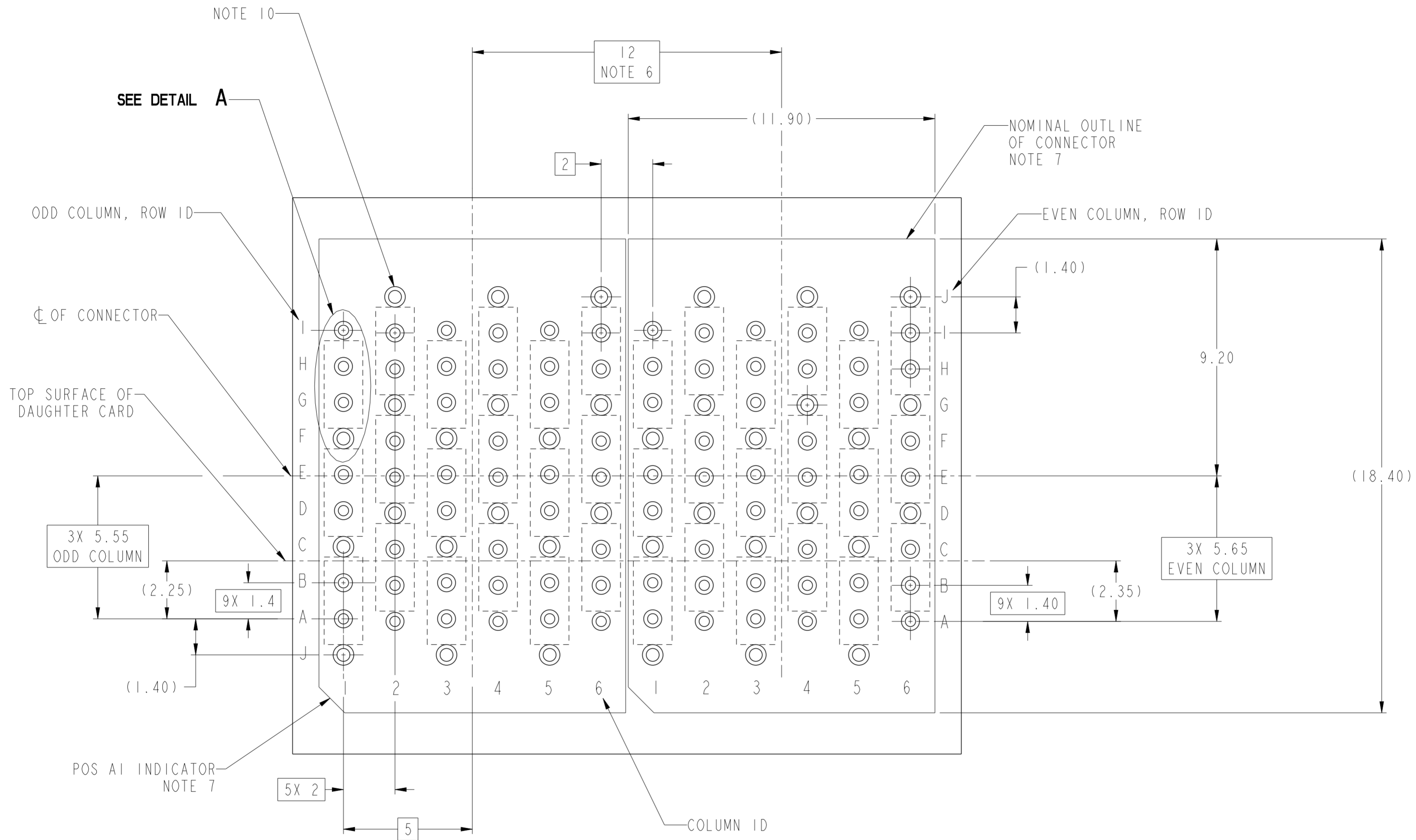
Copyright FCI.
FCI

| | | | | | | | | | | | | |
|---------------------------------------|------------|---------|---------------|------------|------------|---|---------------------|----------------|-------------|------------------------|--|--------------|
| spec ref | - | dr | Robin Johnson | 2010/12/03 | projection | MM | size | A2 | scale | 5:1 | | |
| tolerance std | ASME Y14.5 | eng | Kou Xu | 2014/06/05 | | | ecn no | ELX-DG-17847-1 | | | | |
| TOLERANCES UNLESS OTHERWISE SPECIFIED | | chr | Zhi-Guo Qiao | 2014/06/23 | | | rel level | Released | | | | |
| | | appr | Collins Lu | 2014/06/23 | | | product family | AIRMAX VS | | | | |
| surface | ✓ | linear | 0.X | ±0.3 | | AIRMAX VSe VERTICAL HEADER SMALL PRESS-FIT, 54 POS, 12 mm | divg no 10116601 | rev D | www.fci.com | | | |
| | | | 0.XX | ±0.10 | | | | | cat. no. | Product - Customer Drw | | sheet 2 of 4 |
| | | angular | 0° | ±2° | | | | | | | | |

PDS: Rev :D

STATUS:Released

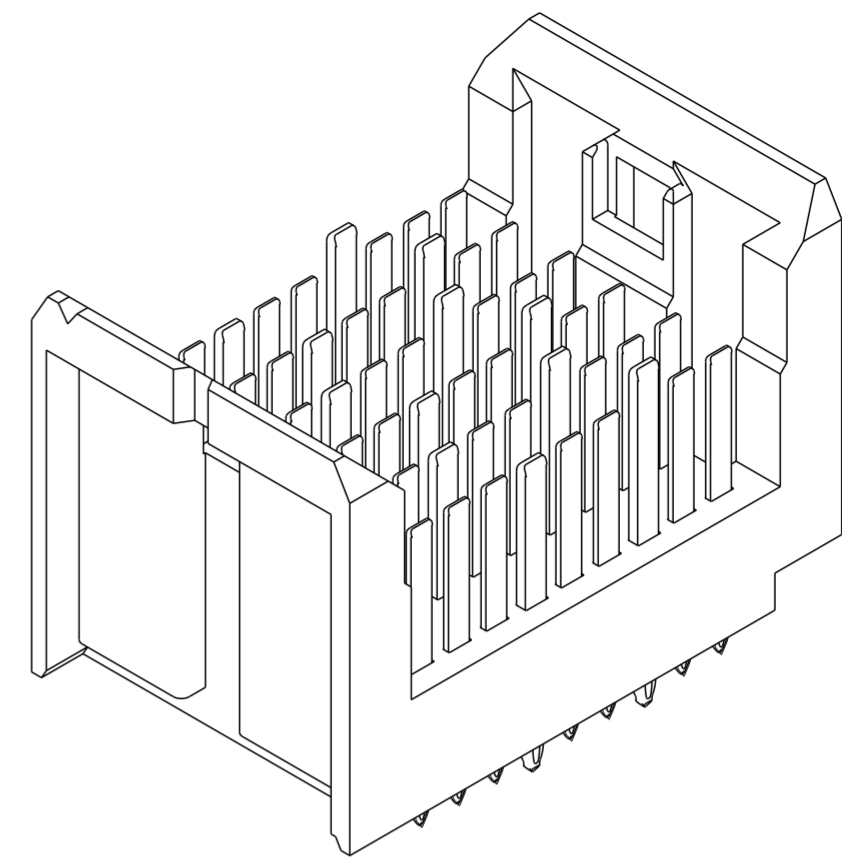
Printed: Jun 24, 2014



RECOMMENDED PCB LAYOUT
FOR DIFFERENTIAL APPLICATIONS,
COMPONENT SIDE
(TWO ADJACENT FOOTPRINTS SHOWN)
NOTES 6, AND 8

| | | | | | | | | | | | | |
|---------------------------------------|------------|------|---------------|-------------|------------|------------------------|--------|----------------|-----------|-----------|----------|----------|
| spec ref | - | dr | Robin Johnson | 2010/12/03 | projection | MM | size | A2 | scale | 3:1 | | |
| tolerance std | ASME Y14.5 | eng | Kou Xu | 2014/06/05 | | | ecn no | ELX-DG-17847-1 | | | | |
| TOLERANCES UNLESS OTHERWISE SPECIFIED | | chr | Zhi-Guo Qiao | 2014/06/23 | | | | product family | AIRMAX VS | rel level | Released | |
| surface | ✓ | appr | Collins Lu | 2014/06/23 | | | | | | | div no | 10116601 |
| ASME Y14.5 | angular | 0° | ±2° | www.fci.com | cat. no. | Product - Customer Drw | | sheet 3 of 4 | | | | |

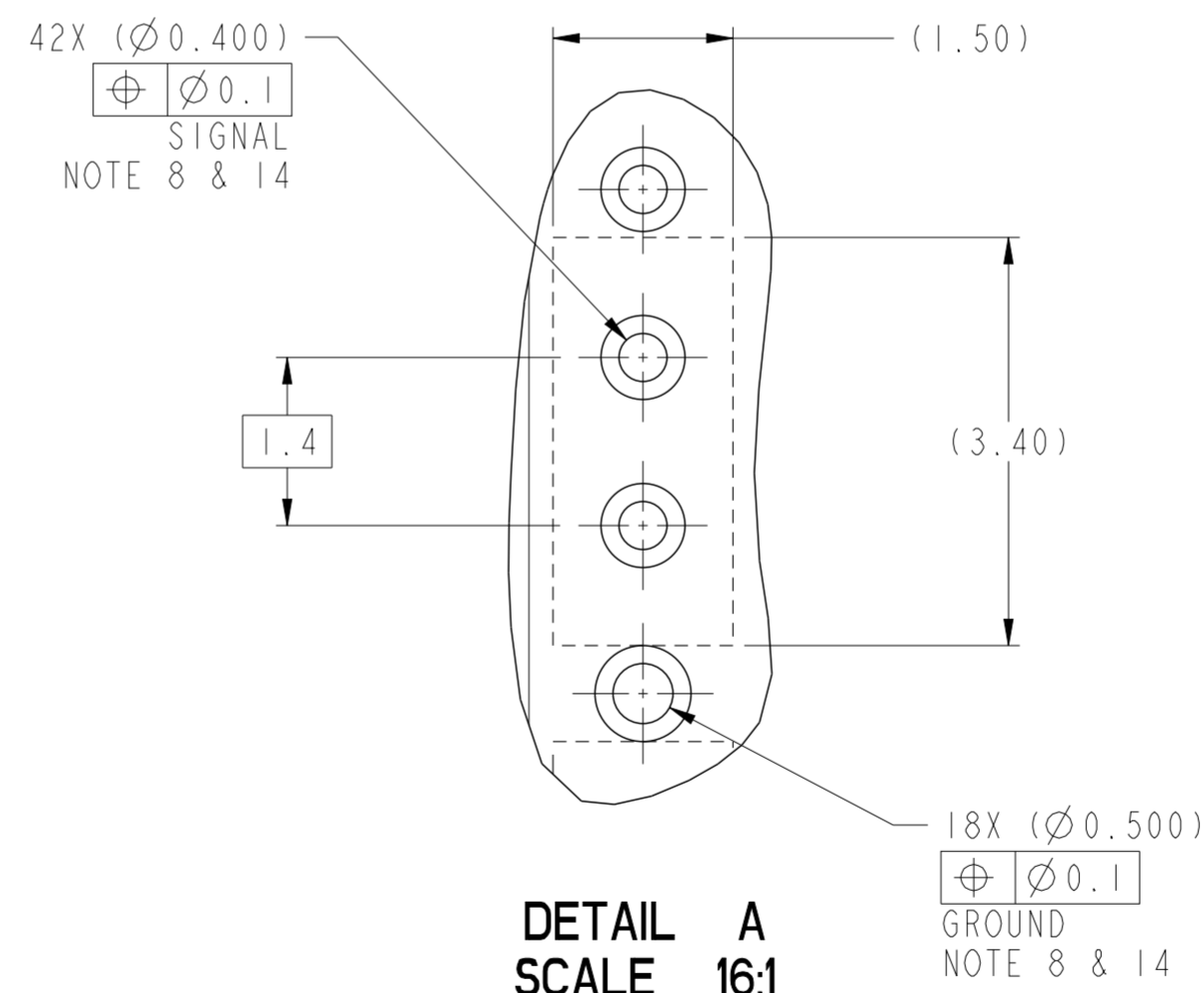
| PART NUMBER | PRESS-FIT TAIL PLATING TYPE | PROTECTIVE COVER | LONG GROUND PIN LOCATIONS (5.6MM) | REMARKS |
|----------------|-----------------------------|------------------|-----------------------------------|---------------------------------------|
| 10116601-101LF | TIN OVER NICKEL (LEAD FREE) | YES | F1, F3, F5, G2, G4, G6 | WITHOUT DETECTION PIN |
| 10116601-111LF | TIN OVER NICKEL (LEAD FREE) | YES | F1, F3, F5, G2, G4, G6 | WITH SHORT DETECTION PIN LOCATS AT A6 |



10116601-101LF

NOTES:

- CONNECTOR MATERIALS:
HOUSING: HIGH TEMP THERMOPLASTIC, BLACK, UL94V-0
CONTACT: COPPER ALLOY
- CONTACT PLATING:
SEPARABLE INTERFACE: PERFORMANCE-BASED PLATING, QUALIFIED TO MEET THE REQUIREMENTS OF FCI PRODUCT SPECIFICATION GS-12-XXX INCLUDING TELCORDIA GR-1217-CORE (NOVEMBER 1995) CENTRAL OFFICE TEST SEQUENCE
PRESS-FIT TAILS: SEE TABLE
- PRODUCT SPECIFICATION: GS-12-XXX.
- APPLICATION SPECIFICATION: GS-20-XXX.
- PRODUCT MARKING, (PROTOTYPE, PART NUMBER & LOT CODE), ON THIS SURFACE.
- THE MINIMUM CENTERLINE SPACING BETWEEN ADJACENT MODULES IS 12.0 mm.
- CONNECTOR OUTLINE WITH HOUSING POS AI INDICATOR MAY BE SCREEN PRINTED ONTO CUSTOMER PCB TO BE USED AS A GUIDE FOR MANUAL CONNECTOR PLACEMENT.
- REFER TO CUSTOMER DRAWING 10104444 FOR INFORMATION ON PCB HOLE DIAMETERS AND PLATING OPTIONS.
- LEAD FREE PRODUCT MEETS EUROPEAN UNION DIRECTIVES AND OTHER COUNTRY REGULATIONS AS DESCRIBED IN GS-22-008.
- THE OUTER VIAS IN COLUMN J ARE OPTIONAL. IF ADDED THESE HOLES PROVIDE GROUND SYMETRY THROUGH THE PCB. NO CONNECTOR EONS WILL BE PRESSED INTO THESE HOLES.
- PACKAGING MEETS GS-14-920 LEAD FREE LABELING SPECIFICATION.
- FOR REMOVAL OF THE PROTECTIVE CAP BY HAND, GRIP USING THESE SURFACES.
- FOR REMOVAL OF THE PROTECTIVE CAP WITH PLIERS, GRIP USING THIS FEATURE.
- GROUND VIAS IN POSITIONS C, F, & J FOR ODD COLUMNS AND POSITIONS D, G, & J FOR EVEN COLUMNS REQUIRE (Ø0.50) FINISHED HOLES. ALL OTHER VIAS REQUIRE (Ø0.40) FINISHED HOLES.
- A SYMBOL WILL BE NEXT TO ANY DIMENSION, VIEW, OR NOTE THAT HAS BEEN MODIFIED WITH THE CURRENT DRAWING REVISION.
- SHORT DETECTION PIN LOCATES AT A6 IS 0.5mm LESS WIPE NOMINAL THAN THE SHORTEST PIN.



DETAIL A
SCALE 16:1

| | | | | | | | | | | |
|---------------|------------|-------------|---------------|------------|----------------|------------------------|--------------|----------------------------|-----------|----------|
| spec ref | - | dr | Robin Johnson | 2010/12/03 | projection | MM | size | A2 | scale | 5:1 |
| tolerance std | ASME Y14.5 | eng | Kou Xu | 2014/06/05 | chr | Zhi-Guo Qiao | ecn no | ELX-DG-17847-1 | rel level | Released |
| surface | ✓ | appr | Collins Lu | 2014/06/23 | product family | AIRMAX VS | title | AIRMAX VSe VERTICAL HEADER | dwg no | 10116601 |
| ASME Y14.5 | linear | 0.X | ±0.3 | 0.XX | ±0.10 | 0.XXX | ±0.050 | angular | 0° | ±2° |
| | | www.fci.com | | cat. no. | - | Product - Customer Drw | sheet 4 of 4 | | | |