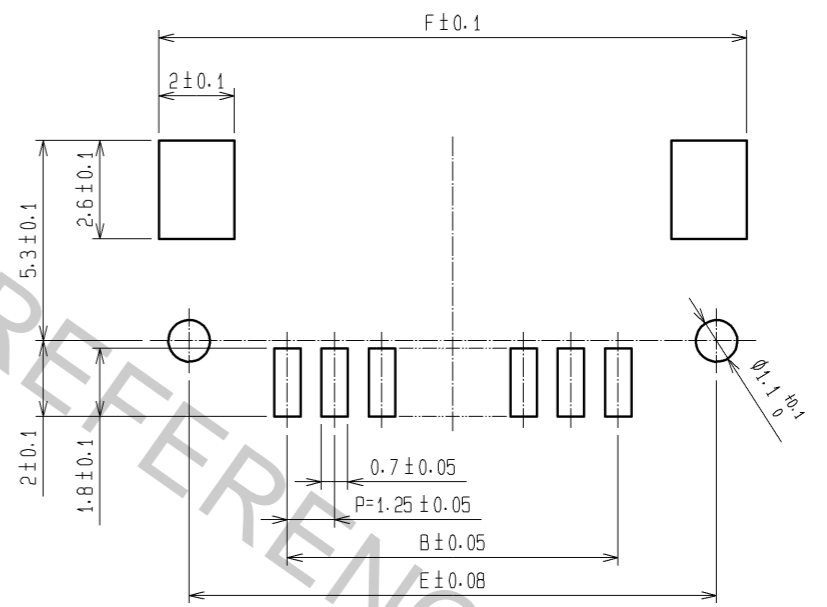


PART NO.	HRS NO.	CONTACTS	A	B	C	D	E	F
DF 14- 2P-1.25H(55)	CL538-0021-4-55	2	7.45	1.25	2.95	3.65	6.45	8.05
DF 14- 3P-1.25H(55)	CL538-0022-7-55	3	8.70	2.50	4.20	4.90	7.70	9.30
DF 14- 4P-1.25H(55)	CL538-0023-0-55	4	9.95	3.75	5.45	6.15	8.95	10.55
DF 14- 5P-1.25H(55)	CL538-0024-2-55	5	11.20	5.00	6.70	7.40	10.20	11.80
DF 14- 6P-1.25H(55)	CL538-0025-5-55	6	12.45	6.25	7.95	8.65	11.45	13.05
DF 14- 7P-1.25H(55)	CL538-0026-8-55	7	13.70	7.50	9.20	9.90	12.70	14.30
DF 14- 8P-1.25H(55)	CL538-0027-0-55	8	14.95	8.75	10.45	11.15	13.95	15.55
DF 14- 9P-1.25H(55)	CL538-0028-3-55	9	16.20	10.00	11.70	12.40	15.20	16.80
DF 14-10P-1.25H(55)	CL538-0029-6-55	10	17.45	11.25	12.95	13.65	16.45	18.05
DF 14-15P-1.25H(55)	CL538-0084-4-55	15	23.70	17.50	19.20	19.90	22.70	24.30
DF 14-20P-1.25H(55)	CL538-0089-8-55	20	29.95	23.75	25.45	26.15	28.95	30.55
DF 14-25P-1.25H(55)	CL538-0094-8-55	25	36.20	30.00	31.70	32.40	35.20	36.80
DF 14-30P-1.25H(55)	CL538-0020-1-55	30	42.45	36.25	37.95	38.65	41.45	43.05

RECOMMENDED PATTERN

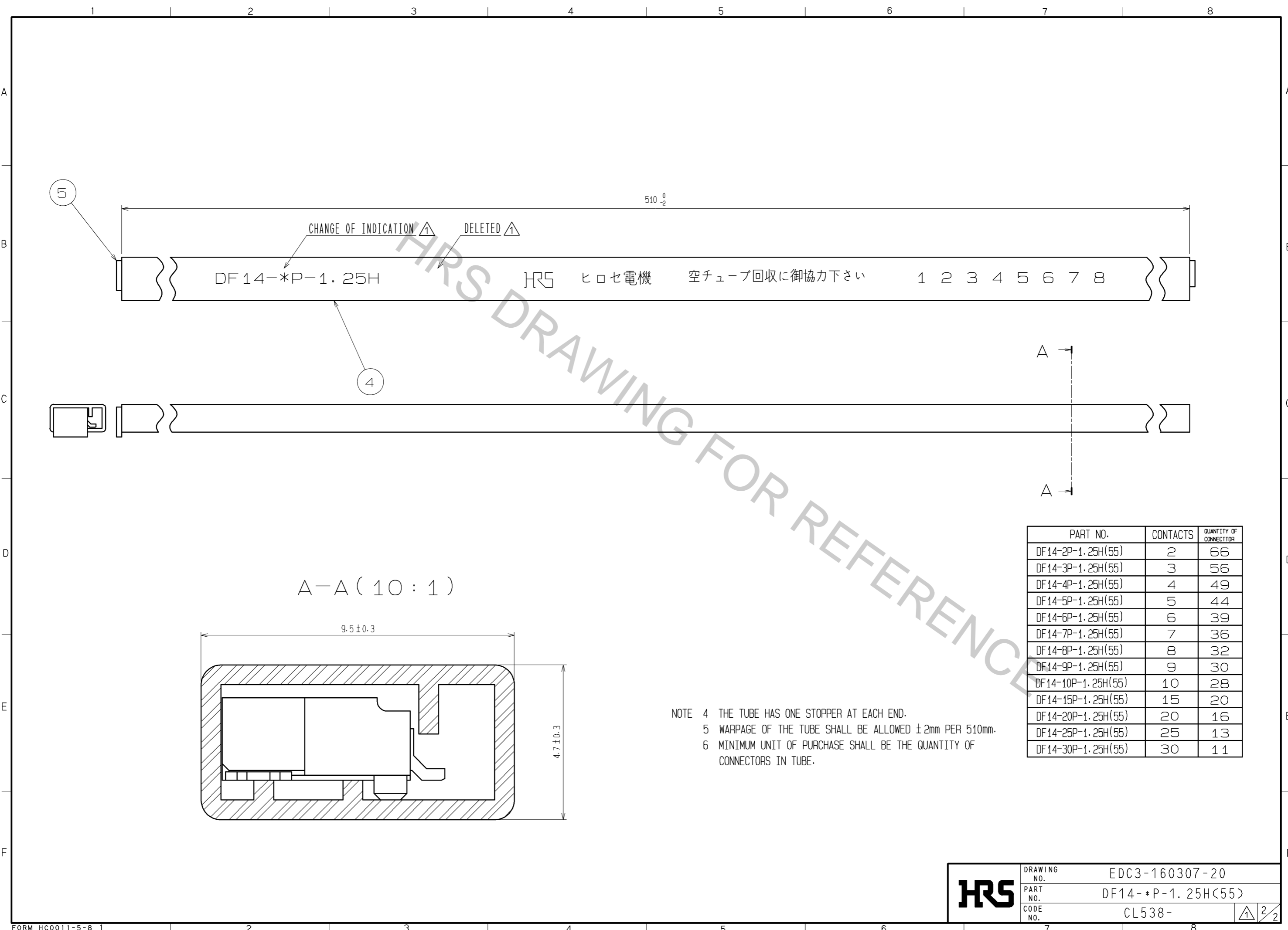


- NOTE 1. LEAD CO-PLANALITY INCLUDE REINFORCED METAL FITTING SHALL BE 0.1 MAX.
 2 WHEN THIS CONNECTOR MATES WITH DF14-*S-1.25C , THE MATTING LENGTH IS 7.3mm.
 3 FOR CONNECTORS , 2 OR 3 CONTACTS , SIMPLIFIED LOCK HOLE SHALL BE SET AT THE CENTER OF HOUSING .

NO.	MATERIAL	FINISH . REMARKS	NO.	MATERIAL	FINISH . REMARKS
2	BRASS	CONTACT AREA:GOLD PLATED 0.1µm min LEAD AREA:TIN-COPPER PLATED 1µm min UNDER PLATING:NICKEL PLATED 1µm min	5	S. PVC	
1	POLYAMIDE	BEIGE . UL94V-0	4	RIGID VINYLCHLORIDE	ELECTROSTATIC PROTECTION
			3	PHOSPHOR BRONZE	TIN-COPPER PLATED 1µm min UNDER PLATING:NICKEL PLATED 0.5µm min

UNITS	SCALE	COUNT	DESCRIPTION OF REVISIONS	DESIGNED	CHECKED	DATE
mm	5 : 1	2	DIS-H-008680	MI. SAKIMURA	TS. FUKUSHIMA	14. 04. 11

APPROVED	CHECKED	DESIGNED	DRAWN	DRAWING NO.	PART NO.	CODE NO.
:KJ. KATAYOSE	:TY. OMA	:TS. KUMAZAWA	:TS. KUMAZAWA	EDC3-160307-20	DF14- *P-1.25H(55)	CL538-



NOTE 4 THE TUBE HAS ONE STOPPER AT EACH END.
 5 WARPAGE OF THE TUBE SHALL BE ALLOWED ±2mm PER 510mm.
 6 MINIMUM UNIT OF PURCHASE SHALL BE THE QUANTITY OF CONNECTORS IN TUBE.

PART NO.	CONTACTS	QUANTITY OF CONNECTOR
DF14-2P-1.25H(55)	2	66
DF14-3P-1.25H(55)	3	56
DF14-4P-1.25H(55)	4	49
DF14-5P-1.25H(55)	5	44
DF14-6P-1.25H(55)	6	39
DF14-7P-1.25H(55)	7	36
DF14-8P-1.25H(55)	8	32
DF14-9P-1.25H(55)	9	30
DF14-10P-1.25H(55)	10	28
DF14-15P-1.25H(55)	15	20
DF14-20P-1.25H(55)	20	16
DF14-25P-1.25H(55)	25	13
DF14-30P-1.25H(55)	30	11

HRS	DRAWING NO.	EDC3-160307-20
	PART NO.	DF14-*P-1.25H(55)
	CODE NO.	CL538-