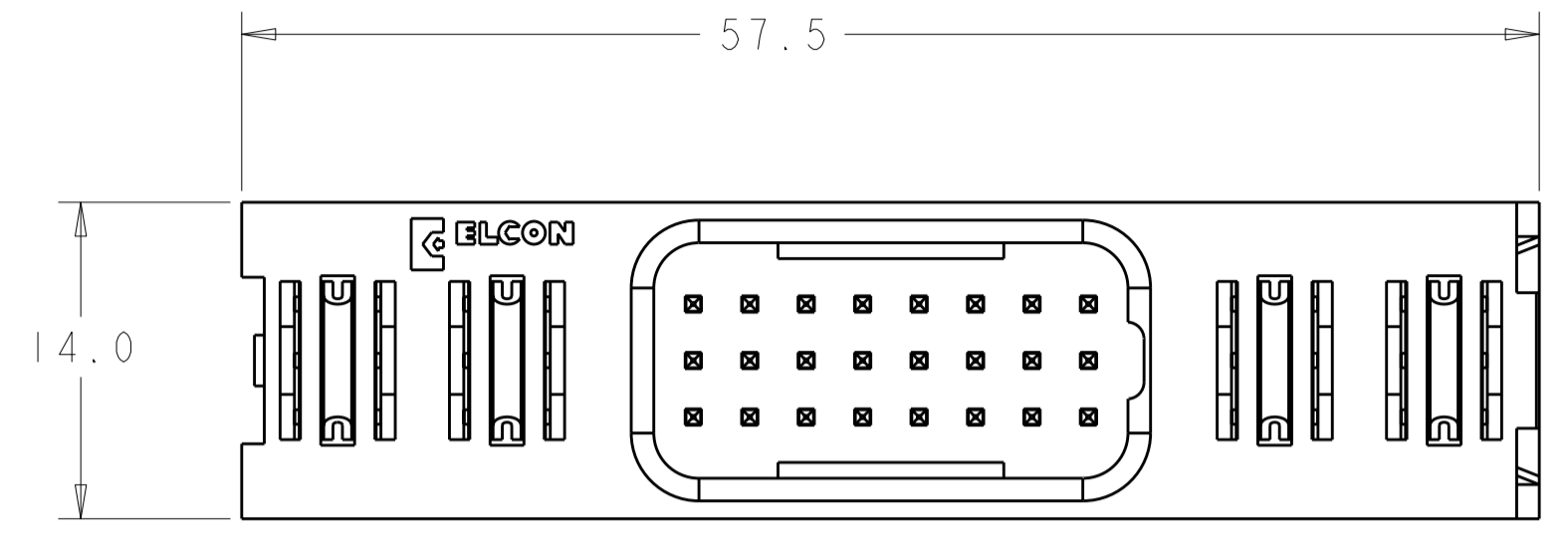


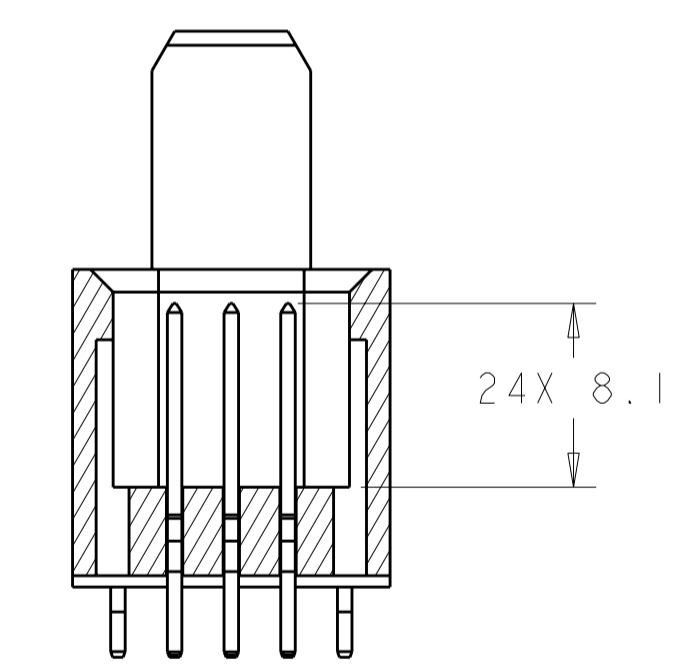
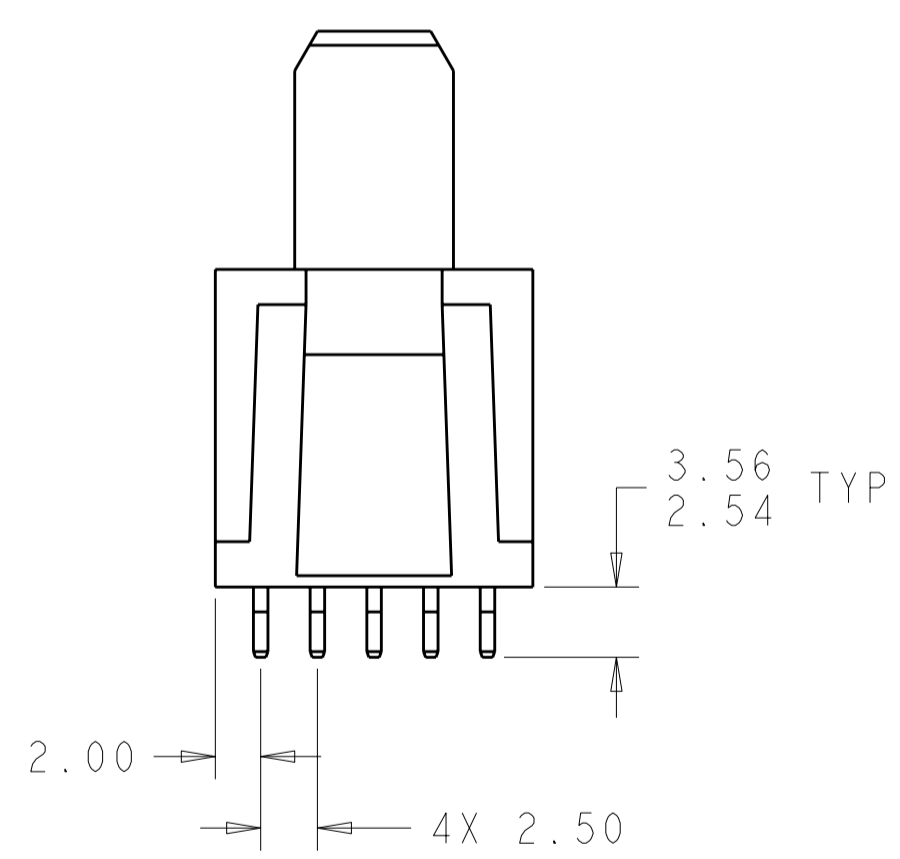
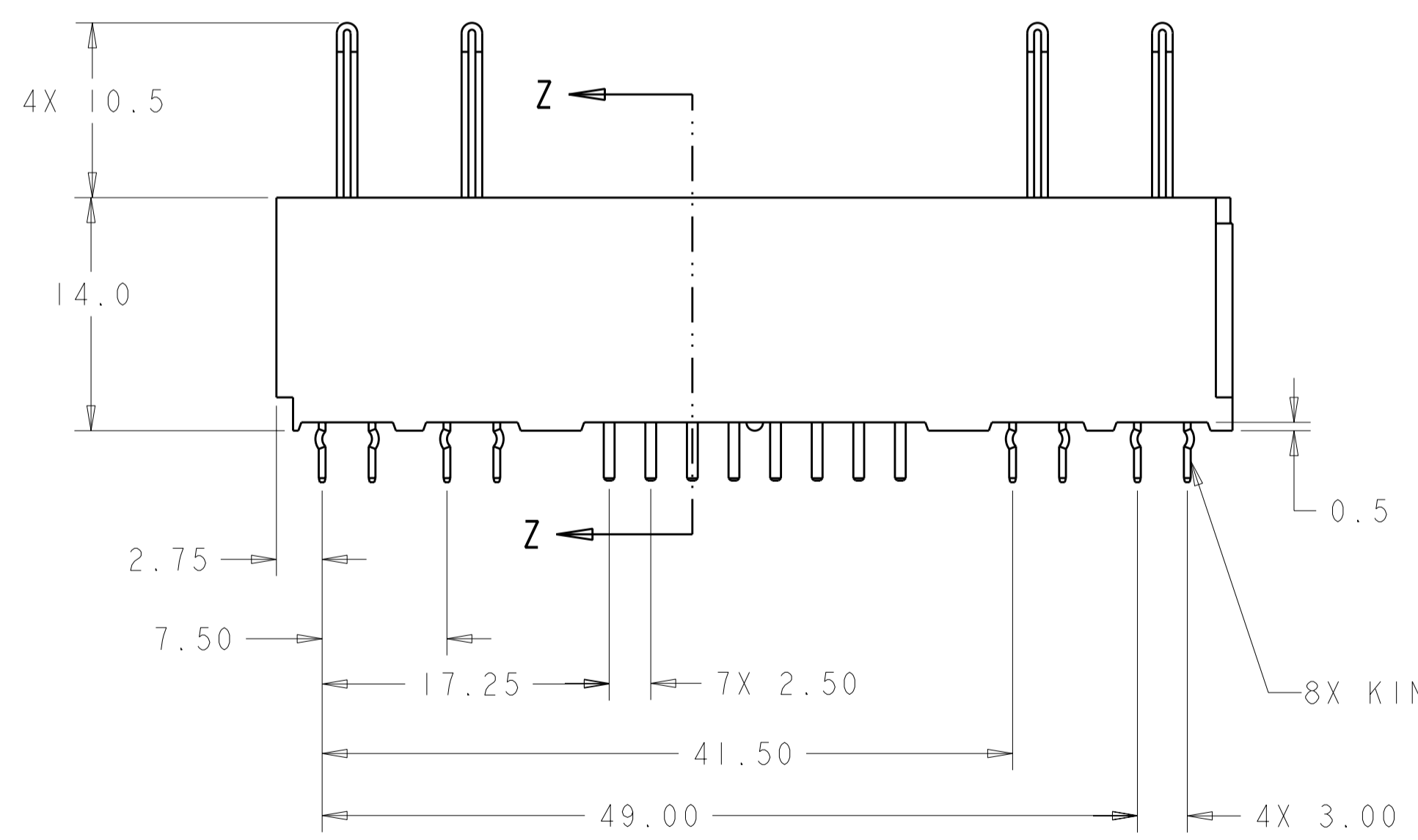
THIS DRAWING IS UNPUBLISHED. RELEASED FOR PUBLICATION 20  
 © COPYRIGHT 20 BY TYCO ELECTRONICS CORPORATION. ALL RIGHTS RESERVED.

LOC	DIST	REVISIONS					
GP	00	P	LTR	DESCRIPTION	DATE	DWN	APVD
		B		REV PER ECO-08-004046	27FEB2008	RG	PD
		C		REV PER ECO-08-026281	17OCT2008	RG	PD



- PART NUMBER CHANGES AND OR DESIGN CHANGES AFFECTING ITEM INTERCHANGEABILITY REQUIRE PRIOR TYCO ELECTRONICS APPROVAL AND AUTHORIZATION BY REVISION TO THIS DRAWING.
  - MATERIAL:
    - INSULATORS - THERMOPLASTIC, GLASS REINFORCED, COLOR: BLACK, UL94V-0 FLAMMABILITY RATED.
    - POWER CONTACTS - PHOSPHOR BRONZE ALLOY, COPPER ALLOY
    - SIGNAL CONTACTS-BERYLLIUM COPPER ALLOY
  - FINISH:
    - CONTACTS - GOLD PLATE .76µm MIN. THK., OVER NICKEL 1.27µm MIN. THK
    - SOLDER TAILS- TIN 3.05 MIN. THK. OVER NICKEL 1.27µm MIN THK.
- △ ITEMS PROVIDED TO THIS SPECIFICATION TO BE PERMANENTLY IDENTIFIED PER THE FOLLOWING IDENTIFIER LABEL

YEAR    WEEK     
 TYCO ELECTRONICS P/N: XXXXXXXX-X  
 DATE CODE (e.g. 0106): XXXX



SECTION Z-Z

8X KINKED SOLDER TAILS

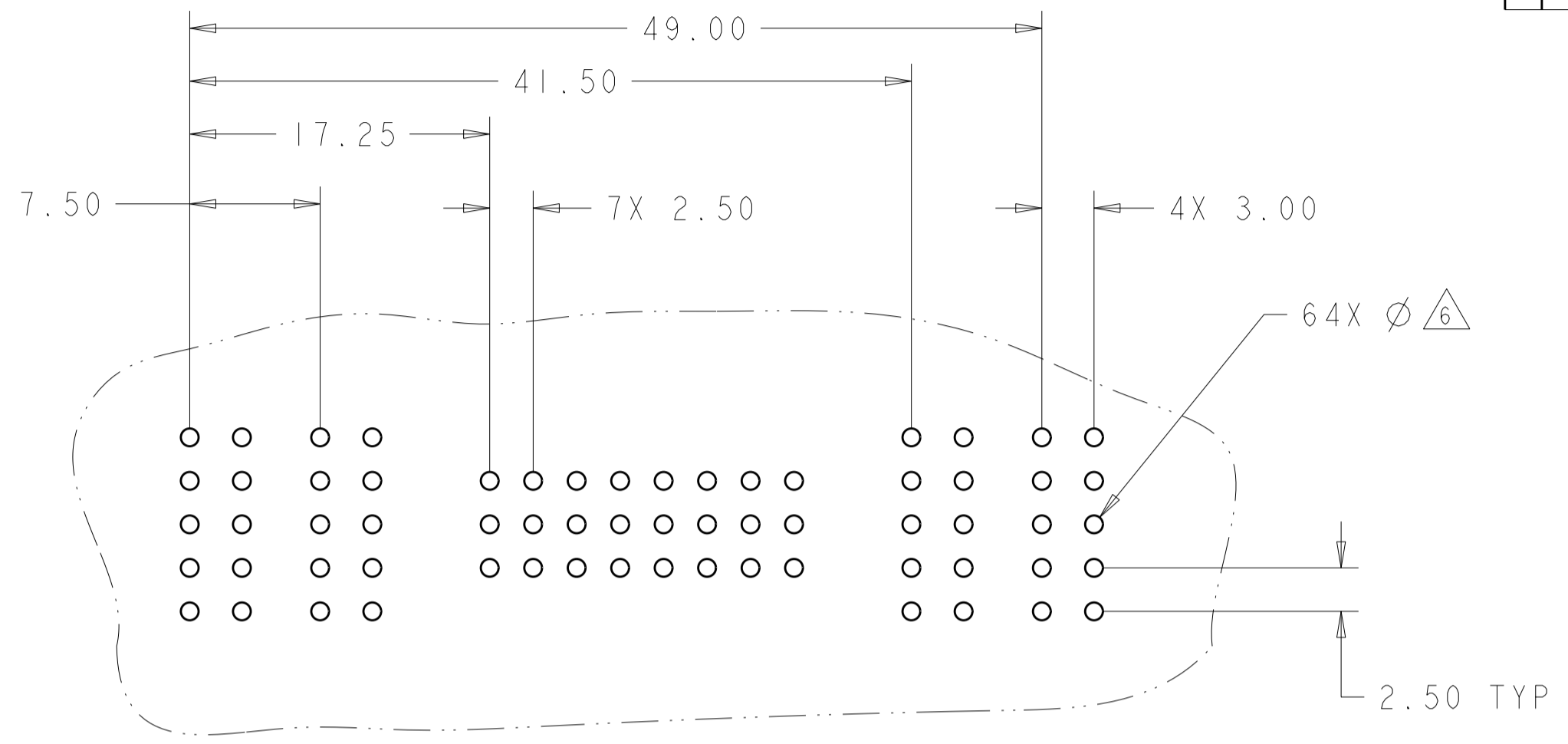
AS SHOWN	6648094-1
DESCRIPTION	PART NUMBER

THIS DRAWING IS A CONTROLLED DOCUMENT FOR TYCO ELECTRONICS CORPORATION. IT IS SUBJECT TO CHANGE AND THE CONTROLLING ENGINEERING ORGANIZATION SHOULD BE CONTACTED FOR THE LATEST REVISION.		DWN: REA/GRZYBOWSKI 27FEB2008	Tyco Electronics Harrisburg, PA 17105-3608	
DIMENSIONS: mm		CHK: P. DAMATO 27FEB2008	NAME: P. DAMATO	
TOLERANCES UNLESS OTHERWISE SPECIFIED:		APVD: CHAU/FLICKINGER 27FEB2008	PRODUCT SPEC	
0 PLC ±.5		APPLICATION SPEC		
1 PLC ±.5		WEIGHT		
2 PLC ±.25		SCALE: 3:1		
3 PLC ±.		SHEET 1 OF 3		
4 PLC ±.		REV C		
ANGLES ±.5		RESTRICTED TO		
FINISH		A200779C-6648094		
MATERIAL		CUSTOMER DRAWING		

**ELCON FLATPAQ**

THIS DRAWING IS UNPUBLISHED. RELEASED FOR PUBLICATION 20  
 © COPYRIGHT 20 BY TYCO ELECTRONICS CORPORATION. ALL RIGHTS RESERVED.

LOC	DIST	REVISIONS					
GP	00	P	LTR	DESCRIPTION	DATE	DWN	APVD
		-		SEE SHEET 1			



PRINTED CIRCUIT LAYOUT  
COMPONENT SIDE

CONNECTOR	CATALOG MODULE #	SIZE NO.	CONTACT QTY	MATING PIN	MAX. CURRENT (PER CONTACT)	CONTACT SPACING	VOLTAGE RATING
PIN	FPI816	POWER	8	4	1.25 X 7.00 [.049 X .276]	7.50 [0.295]	250 VOLTS
		SIGNAL	22	24	.64 [.025] SQ.	2.50 [.0984]	125 VOLTS

THIS DRAWING IS A CONTROLLED DOCUMENT FOR TYCO ELECTRONICS CORPORATION. IT IS SUBJECT TO CHANGE AND THE CONTROLLING ENGINEERING ORGANIZATION SHOULD BE CONTACTED FOR THE LATEST REVISION.

DWN: REA/GRZYBOWSKI 27FEB2008  
 CHK: P. DAMATO 27FEB2008  
 APVD: CHAU/Flickinger 27FEB2008

Tyco Electronics  
Harrisburg, PA 17105-3608

NAME: PIN CONNECTOR ASSEMBLY STRAIGHT W/KINKED TAILS FLATPAQ

SIZE: A2 CAGE CODE: 00779 DRAWING NO: 6648094 RESTRICTED TO: -

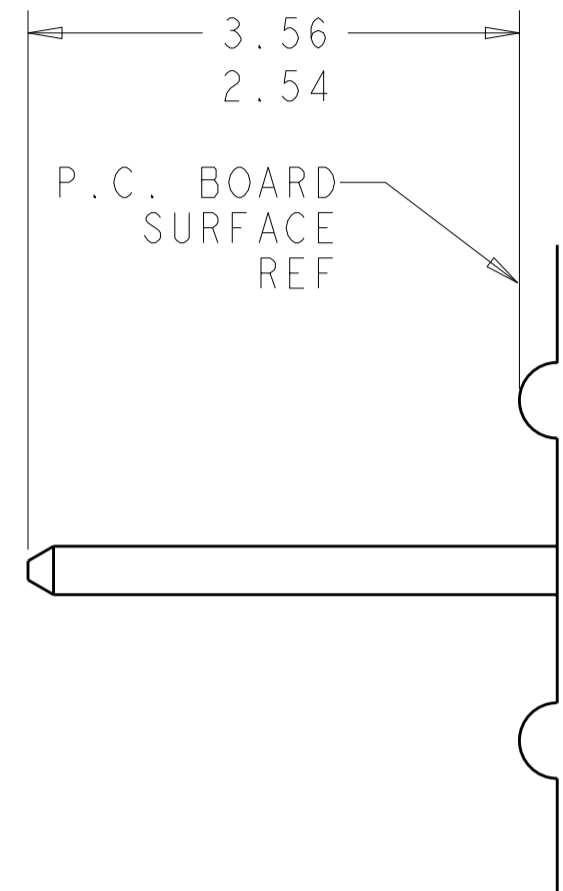
MATERIAL: - FINISH: - WEIGHT: -

CUSTOMER DRAWING SCALE: 3:1 SHEET 2 OF 3 REV C

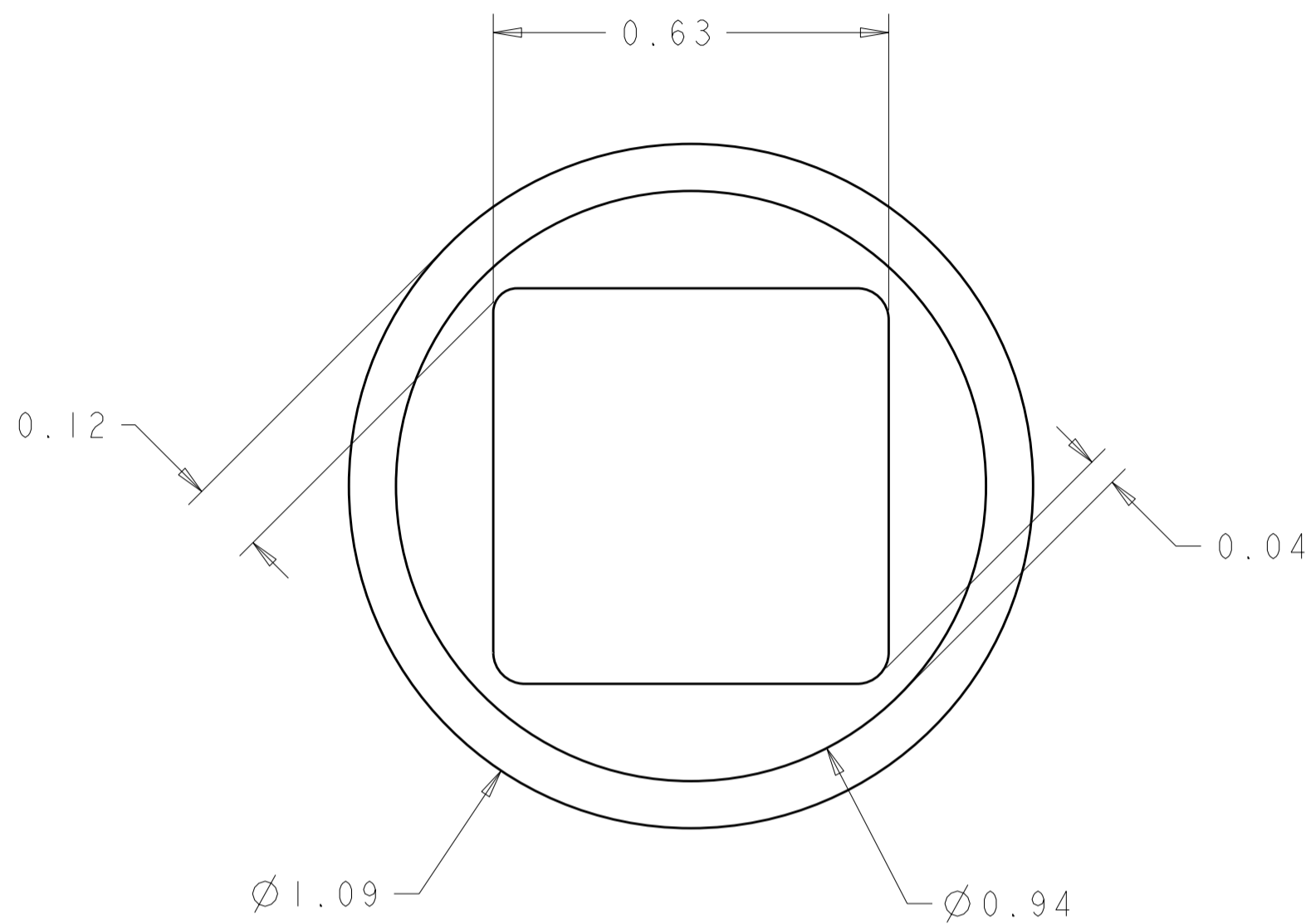
ELCON FLATPAQ

THIS DRAWING IS UNPUBLISHED. RELEASED FOR PUBLICATION 20  
 © COPYRIGHT 20 BY TYCO ELECTRONICS CORPORATION. ALL RIGHTS RESERVED.

LOC	DIST	REVISIONS			
P	LTR	DESCRIPTION	DATE	DWN	APVD
GP	00	-	SEE SHEET 1	-	-



5. SOLDER PIN DETAIL  
SCALE 10 : 1



6. SOLDER TERMINATION AREA  
SCALE 40:1

RECOMMENDED PRINTED CIRCUIT SOLDER HOLE  
 FINISHED HOLE: Ø1.02 [ .040 ] ±.08 [ .003 ]  
 DRILLED HOLE: Ø1.15 [ .0453 ] ±.013 [ .0005 ]  
 COPPER PLATE: .025 [ .0010 ] MIN  
 TIN PLATE: .008 [ .0003 ] MIN. (PER SURFACE)

**ELCON** **FLATPAQ**

<small>THIS DRAWING IS A CONTROLLED DOCUMENT FOR TYCO ELECTRONICS CORPORATION          IT IS SUBJECT TO CHANGE AND THE CONTROLLING ENGINEERING ORGANIZATION          SHOULD BE CONTACTED FOR THE LATEST REVISION.</small>		DWN 27FEB2008 REA/GRZYBOWSKI CHK 27FEB2008 P. DAMATO APVD 27FEB2008 CHAU/FLICKINGER	Tyco Electronics Harrisburg, PA 17105-3608
DIMENSIONS: mm 	TOLERANCES UNLESS OTHERWISE SPECIFIED: 0 PLC ±.5 1 PLC ±.5 2 PLC ±.25 3 PLC ±. 4 PLC ±. ANGLES ±.5 FINISH	PRODUCT SPEC APPLICATION SPEC WEIGHT CUSTOMER DRAWING	NAME PIN CONNECTOR ASSEMBLY STRAIGHT W/KINKED TAILS FLATPAQ SIZE CAGE CODE DRAWING NO RESTRICTED TO A200779 C-6648094 -
AMP 1471-9 REV 31MAR2000		SCALE 3:1	SHEET 3 OF 3 REV C