



PRODUCT DATASHEET

Strada series

last update 27/9/2016

DETAILS

Product Number	C13751_STRADA-SQ-FW
Family	Strada
Type	Lens
Color	clear
Diameter	25 + 25 mm
Height	15,25 mm
Style	square
Optic Material	PMMA
Holder Material	
Fastening	pin, screw
Status	production ready
ROHS Compliant	Yes
Date Updated	27/09/2016



OPTICAL PROPERTIES

LED	Viewing Angle	Light Beam	Efficiency	cd/lm	Connector
LUXEON M/MX	Asymmetric deg	Asymmetric	94 %	0.660	-
NFMW48xA	sim: asym	Asymmetric	sim: 92 %	sim: 1.010	-
Duris P10	sim: Asymmetric	Asymmetric	sim: 92 %	sim: 0.970	-

D

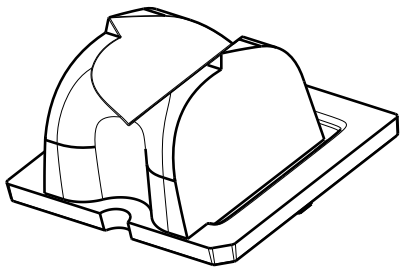
C

B

A

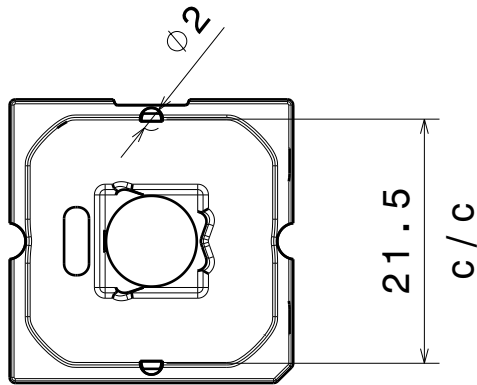
4

4



Isometric view

Bottom view

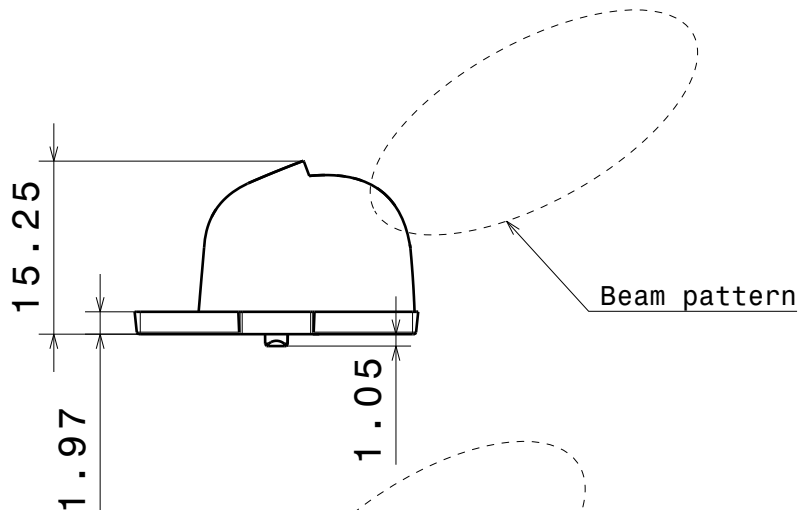


21.5
C/C

3

3

Front view



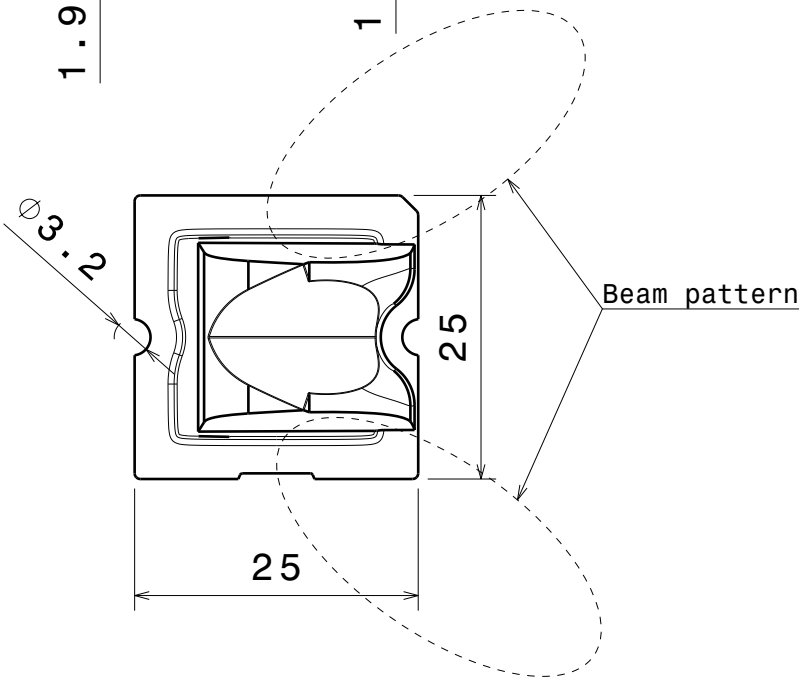
15.25
1.97
1.05

Beam pattern

2

2

Top view



3.2
25
25

Beam pattern

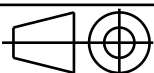
INDEX	PART NO	DESCRIPTION	MATERIAL	COLOUR
1	C13751	STRADA-SQ-FW	PMMA	

Tolerances if not otherwise shown
According to DIN ISO 2768-1
Linear measures:
up to 30mm class M, otherwise class C
According to DIN ISO 2768-2
Form and position: class L



Ledil Oy
Salorankatu 10
FIN 24240 SALO
Finland

THIRD ANGLE PROJECTION:



DRAWING TITLE

C13751_STRADA-SQ-FW

This drawing is the property
of LEDiL Oy. It may not be
reproduced, copied or
communicated without a written
agreement with LEDiL Oy.

SIZE PART NUMBER

A4

C13751

SCALE 3:2 WEIGHT 3,28 g SHEET 1/1

D

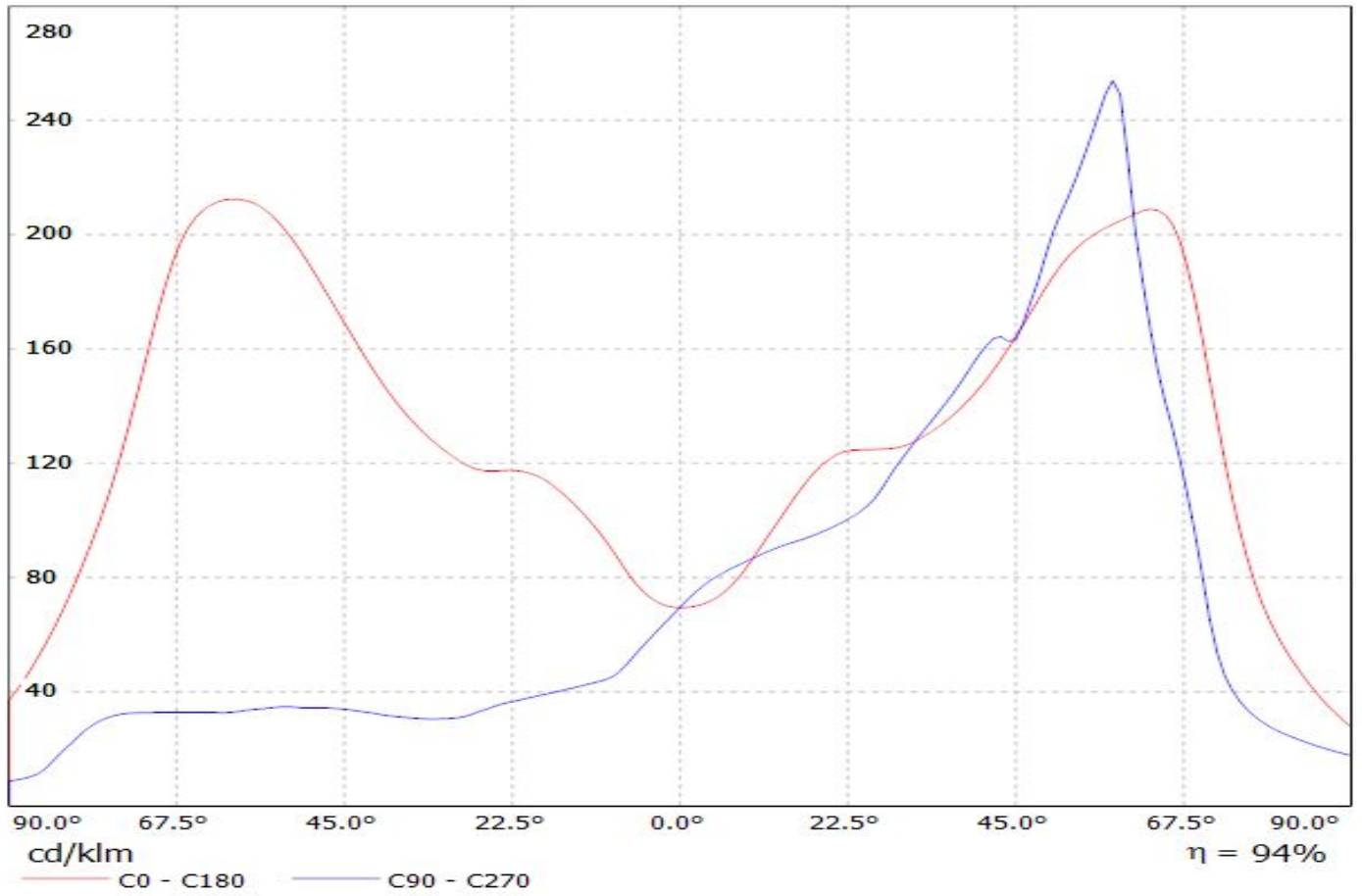
A

1

1

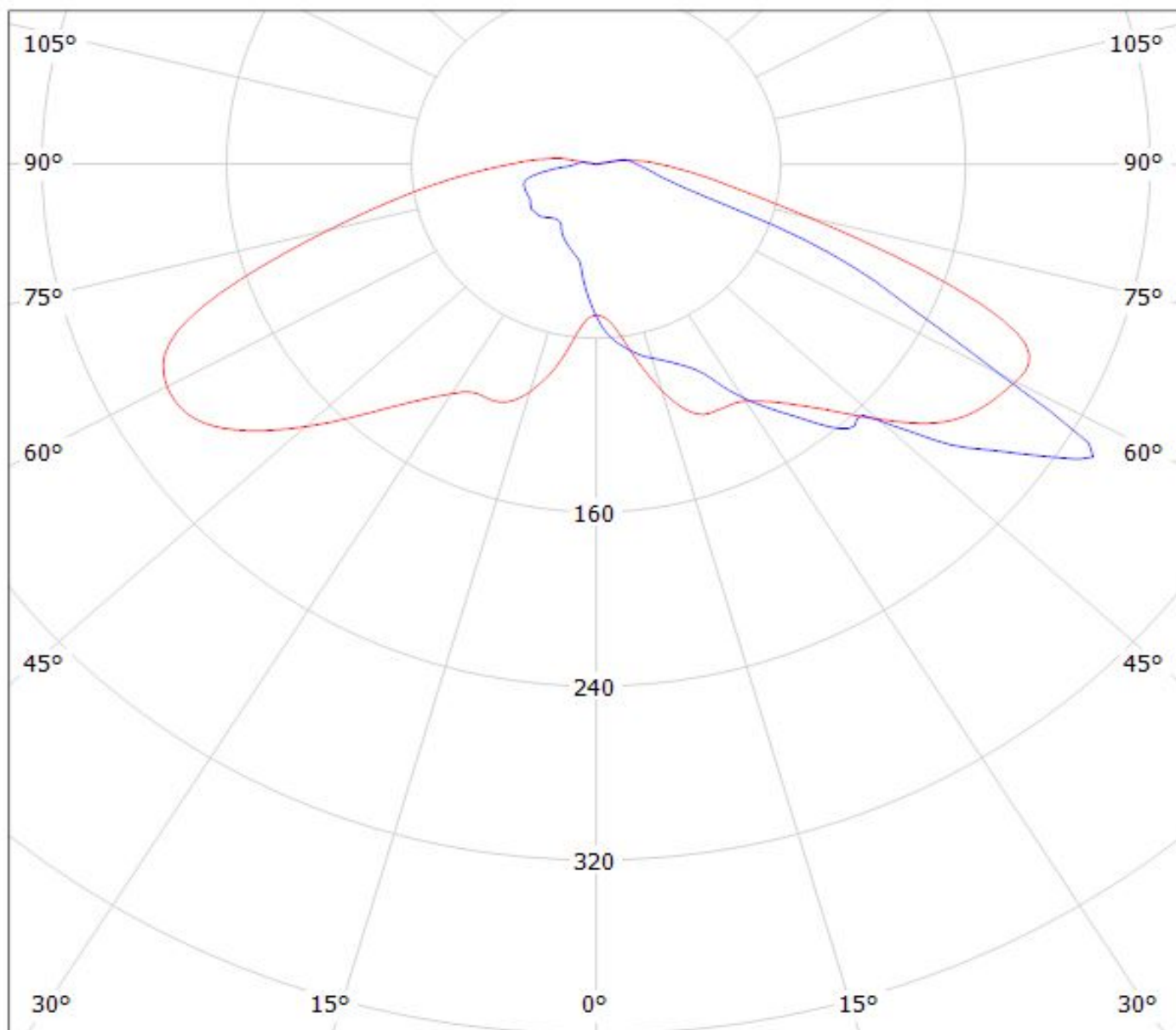
Luminaire: LEDiL Oy C13751_STRADA-SQ-FW_(LUXEON_M)

Lamps: 1 x LUXEON_M_(LXR7-SW40)_342.44lm@250mA_CCT=4000K_P=2.7W_I=0.25A



Luminaire: LEDiL Oy C13751_STRADA-SQ-FW_(LUXEON_M)

Lamps: 1 x LUXEON_M_(LXR7-SW40)_342.44lm@250mA_CCT=4000K_P=2.7W_I=0.25A



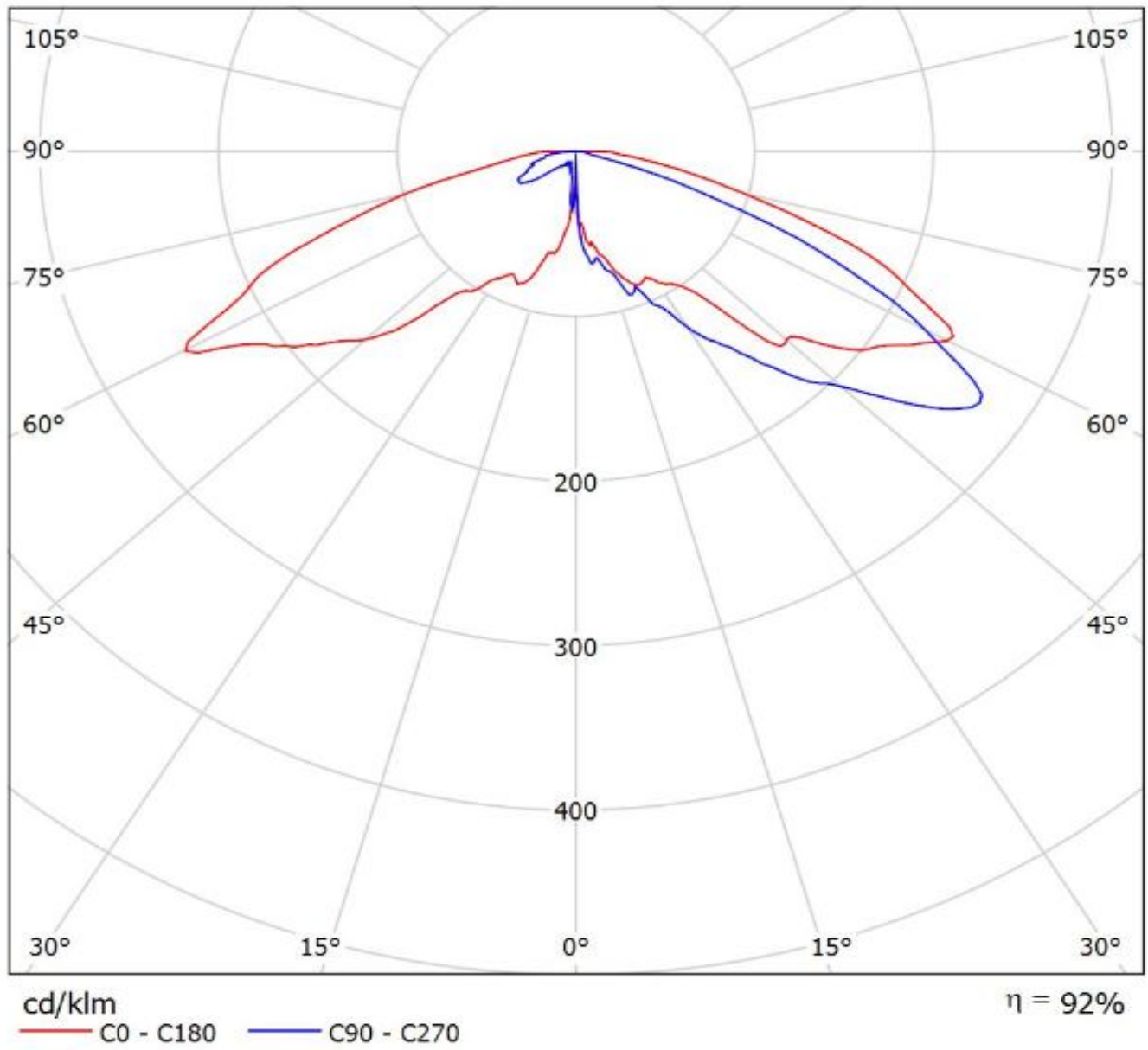
cd/klm

$\eta = 94\%$

— C0 - C180

— C90 - C270

Luminaire: Ledil Oy C13751_STRADA-SQ-FW_NFMW488AR_SIMULATED
Lamps: 1 x NICHIA NFMW488AR



NOTE: The typical divergence will be changed by different color, chip size and chip position tolerance. The typical total divergence is the full angle measured where the luminous intensity is half of the peak value.