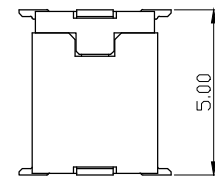
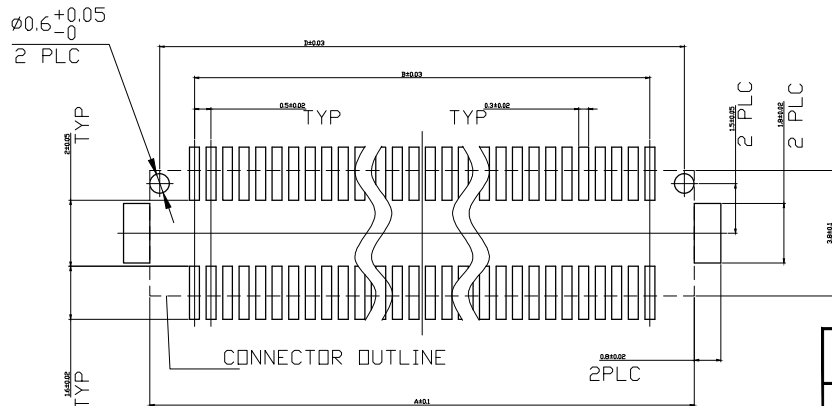
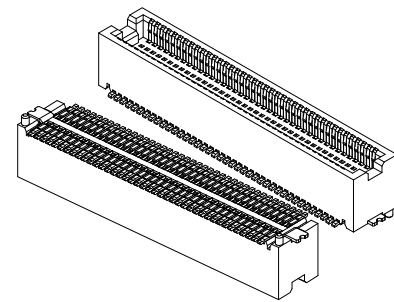
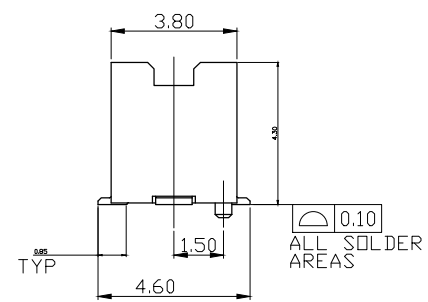
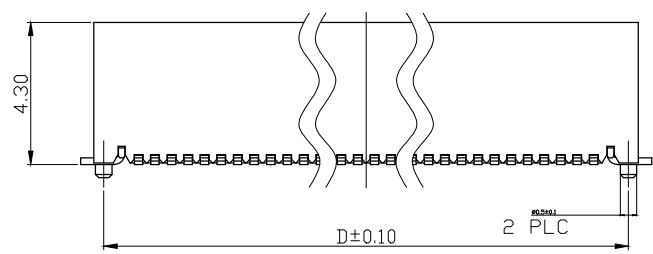
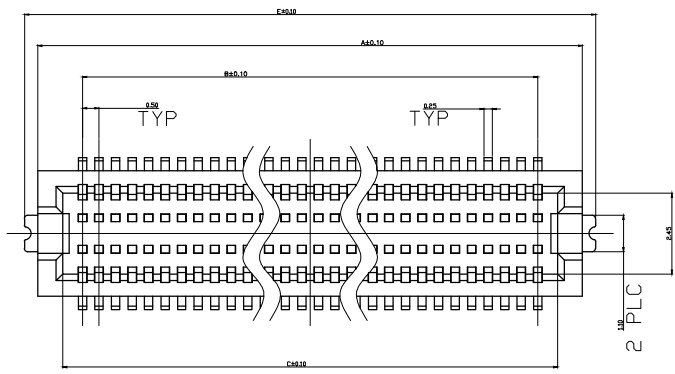


LOC	DIST	REVISIONS					
DW	-	P	LTR	DESCRIPTION	DATE	DWN	APVD
		A2		REVISED. (ECR-14-009374)	02OCT14	SW	SC

NOTE:

- MATERIAL:
 HOUSING: THERMOPLASTIC (LCP) WITH 30% GF, UL 94V-0, BLACK COLOR.
 CAP: NYLON 9T WITH 33% GF, UL 94V-0, BLACK COLOR.
 CONTACTS: PHOSPHOR BRONZE.
 PEGS: BRASS.
- FINISH:
 CONTACTS: 0.127 μm [5 μ"] MIN. GOLD PLATED OVER
 1.27 μm [50 μ"] MIN. NICKEL ON ENTIRE CONTACT.
 PEGS: 2.54 μm [100 μ"] MIN. MATTE-TIN PLATED.
- REFLOW SOLDER CAPABLE TO 260°C AS PER TYCO SPEC. 109-201, CONDITION B.
- NO TYCO LOGO AND DATE CODE ON THE PRODUCT.
- RECEPTACLE PART NUMBERS (BASE NO.#): 1775187 THRU 1775190.



STACKING HEIGHT

EOL	WITHOUT	0.715g	18.00	16.60	15.70	14.50	17.20	60	6-1775184-0
		0.597g	15.50	14.10	13.20	12.00	14.70	50	5-1775184-0
EOL	WITH	0.48g	13.00	11.60	10.70	9.50	12.20	40	4-1775184-0
		0.363g	10.50	9.10	8.20	7.00	9.70	30	3-1775184-0
		0.245g	8.00	6.60	5.70	4.50	7.20	20	2-1775184-0
CAP. FDR PICK/PLACE	WEIGHT	DIMENSIONS					NO. OF CONTACTS	PART NUMBER	

THIS DRAWING IS A CONTROLLED DOCUMENT.

DIMENSIONS: MM	TOLERANCES UNLESS OTHERWISE SPECIFIED:	DWN H. HUANG 31AUG2007	
2 PLC	0 PLC ± 0.5	CHK S. HOU 31AUG2007	
	1 PLC ± 0.38	APVD W.J. KF 31AUG2007	
	2 PLC ± 0.25	PRODUCT SPEC 108-57578	
	3 PLC ± 0.15	QUALIFICATION TEST REPORT 501-57669	NAME BOARD TO BOARD CONNECTOR, 0.5 MM PITCH, FINE-MATE, PLUG, 5H, WITH BOSSES & PEG & CAP
	4 PLC ANGLES ± 5°	WEIGHT SEE TABLE	SIZE A3
MATERIAL SEE NOTE	FINISH SEE NOTE	CUSTOMER DRAWING	CAGE CODE 00779
			DRAWING NO. C-1775184
			RESTRICTED TO -
			SCALE - SHEET 1 of 3 REV A2

4

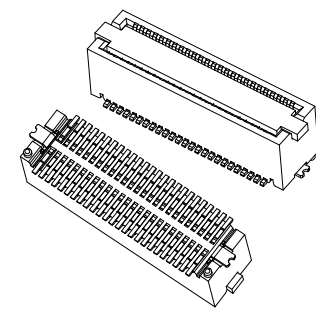
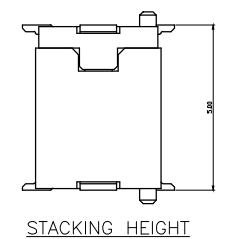
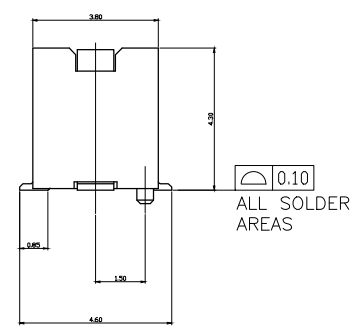
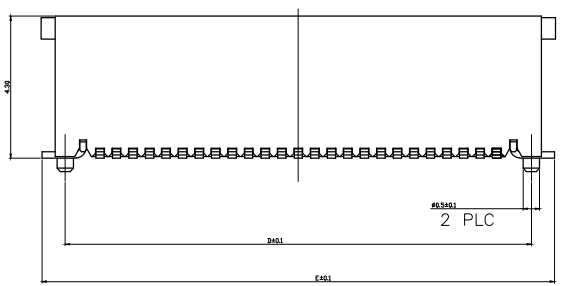
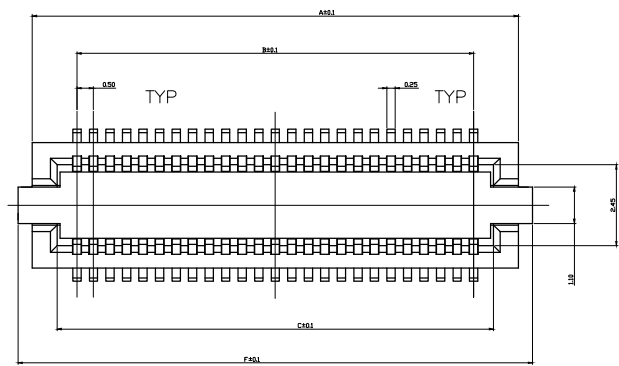
3

2

1

THIS DRAWING IS UNPUBLISHED. RELEASED FOR PUBLICATION
 COPYRIGHT BY TYCO ELECTRONICS CORPORATION. ALL RIGHTS RESERVED.

LOC	DIST	REVISIONS			
P	LTR	DESCRIPTION	DATE	DWN	APVD
DW	—	SEE SHEET 1			

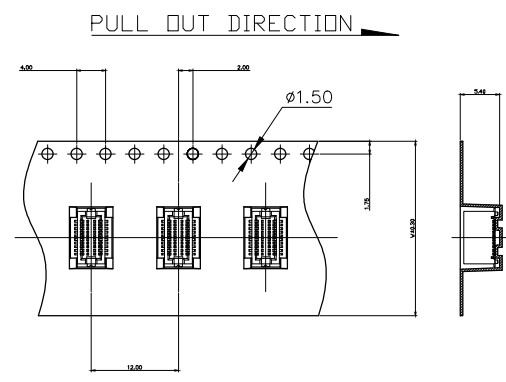
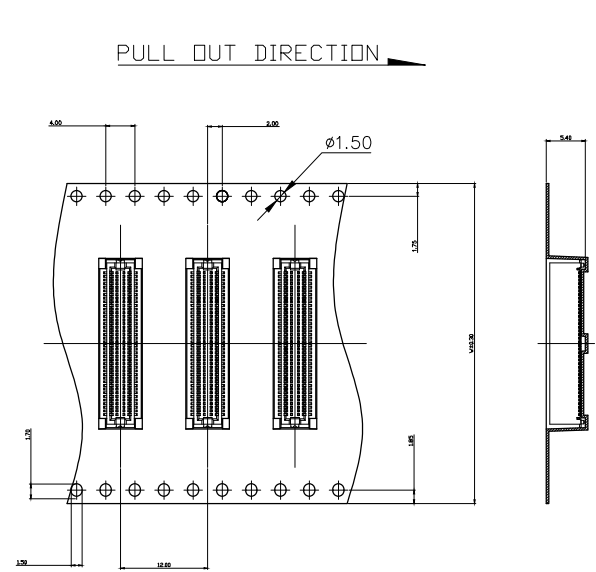
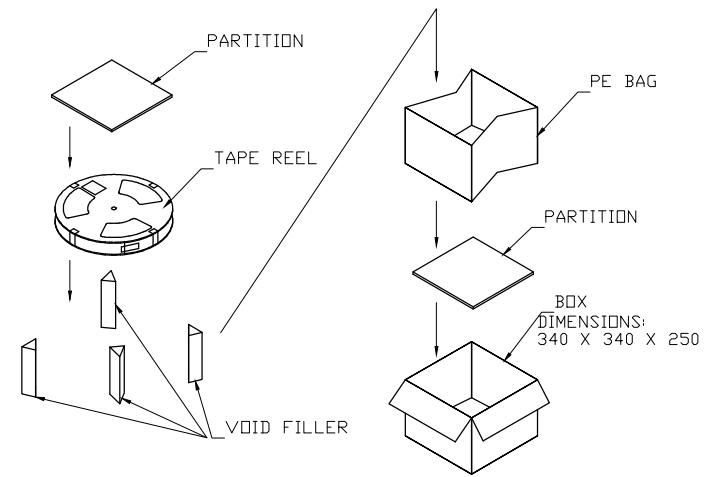
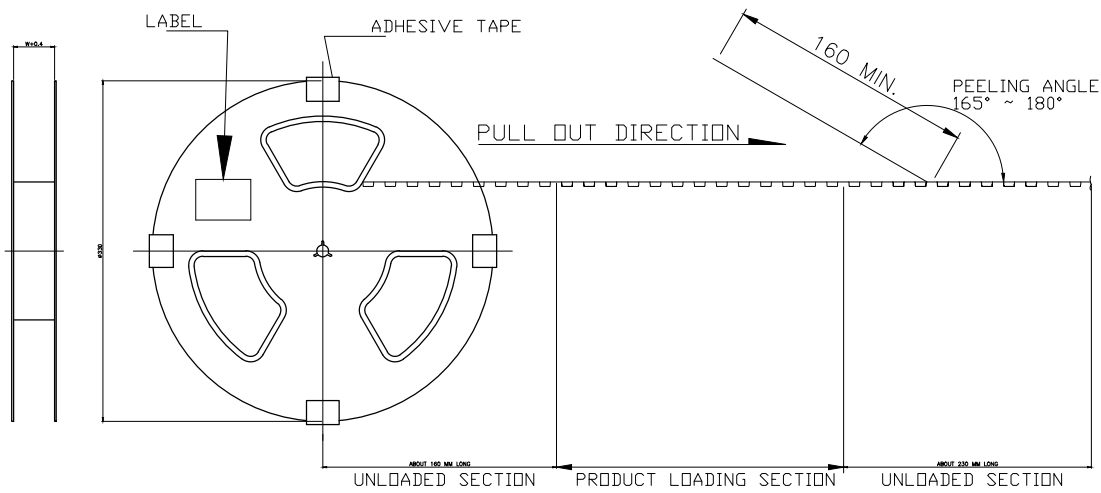


WITH	0.6g	15.56	15.50	14.10	13.20	12.00	14.70	50	5-1775184-1					
CAP FOR PICK/PLACE	WEIGHT	DIMENSIONS					F	E	D	C	B	A	NO. OF CONTACTS	PART NUMBER

THIS DRAWING IS A CONTROLLED DOCUMENT.		DWN H. HUANG 31AUG2007		
DIMENSIONS: MM		CHK S. HOU 31AUG2007		
TOLERANCES UNLESS OTHERWISE SPECIFIED:		APVD W.J. KE 31AUG2007	NAME	
0 PLC ± 0.50 1 PLC ± 0.38 2 PLC ± 0.25 3 PLC ± 0.15 4. PLC ANGLES ± 5°		PRODUCT SPEC —	BOARD TO BOARD CONNECTOR, 0.5 MM PITCH, FINE-MATE, PLUG, 5H, WITH BOSSES & PEG & CAP	
MATERIAL SEE NOTE	FINISH SEE NOTE	QUALIFICATION TEST REPORT —	SIZE A3	CAGE CODE 00779
CUSTOMER DRAWING		WEIGHT SEE TABLE	DRAWING NO C-1775184	RESTRICTED TO —
		SCALE — SHEET 2 OF 3		REV A2

THIS DRAWING IS UNPUBLISHED. RELEASED FOR PUBLICATION AUG. 2006.
 © COPYRIGHT BY TYCO ELECTRONICS CORPORATION. ALL RIGHTS RESERVED.

LOC	DIST	REVISIONS					
DW	—	P	LTR	DESCRIPTION	DATE	DWN	APVD
				SEE SHEET 1			



1000	6	6000	32	8.29	4.29	60
				7.59	3.58	50
	7	7000	24	6.91	2.54	40
				6.09	1.71	20
PCS/REEL	REELS/BOX	QUANTITY	DIM W	G/W (KG)	N/W (KG)	NO. OF POS.

THIS DRAWING IS A CONTROLLED DOCUMENT.		DWN H. HUANG 31AUG2007	TE Connectivity				
DIMENSIONS: MM		CHK S. HOU 31AUG2007					
TOLERANCES UNLESS OTHERWISE SPECIFIED:		APVD W.J. KE 31AUG2007	NAME				
2 PLC		PRODUCT SPEC	BOARD TO BOARD CONNECTOR, 0.5 MM PITCH, FINE-MATE, PLUG, 5H, WITH BOSSES & PEG & CAP				
MATERIAL SEE NOTE		FINISH SEE NOTE	QUALIFICATION TEST REPORT	SIZE A3	CAGE CODE 00779	DRAWING NO C=1775184	RESTRICTED TO
CUSTOMER DRAWING		WEIGHT	SCALE		SHEET	3 of 3	REV A2